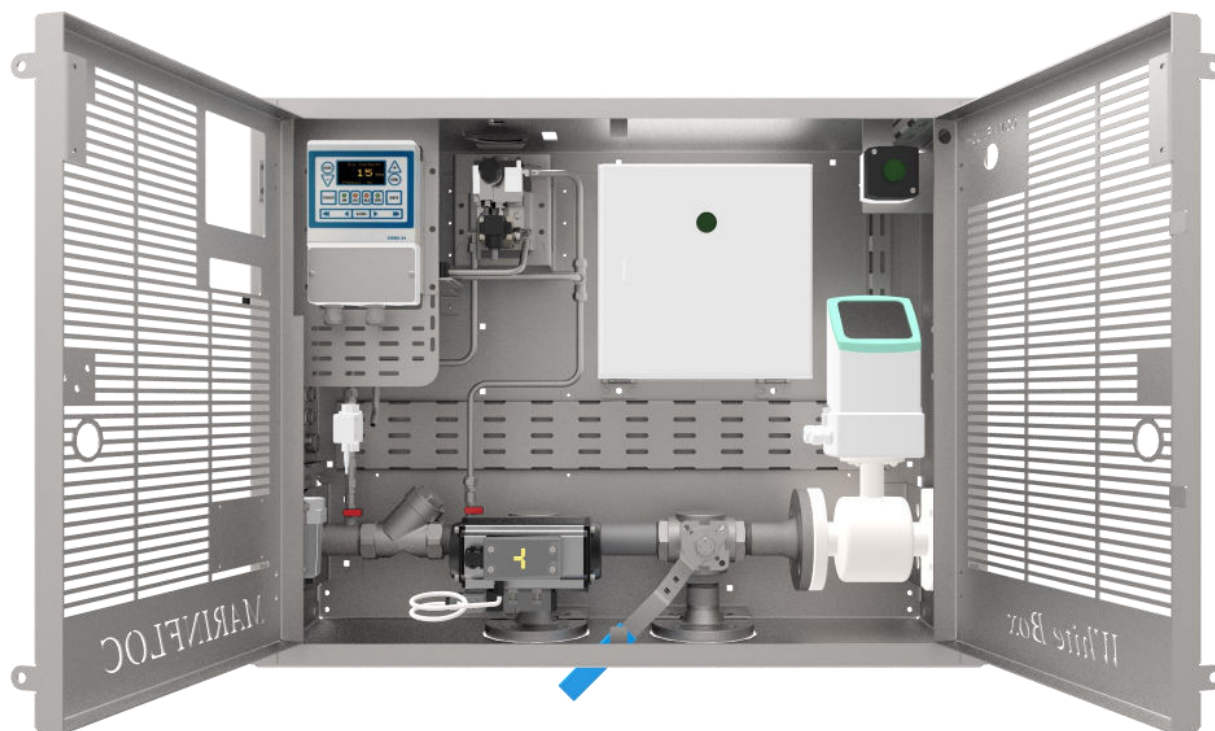


Main data for Whitebox® 2017

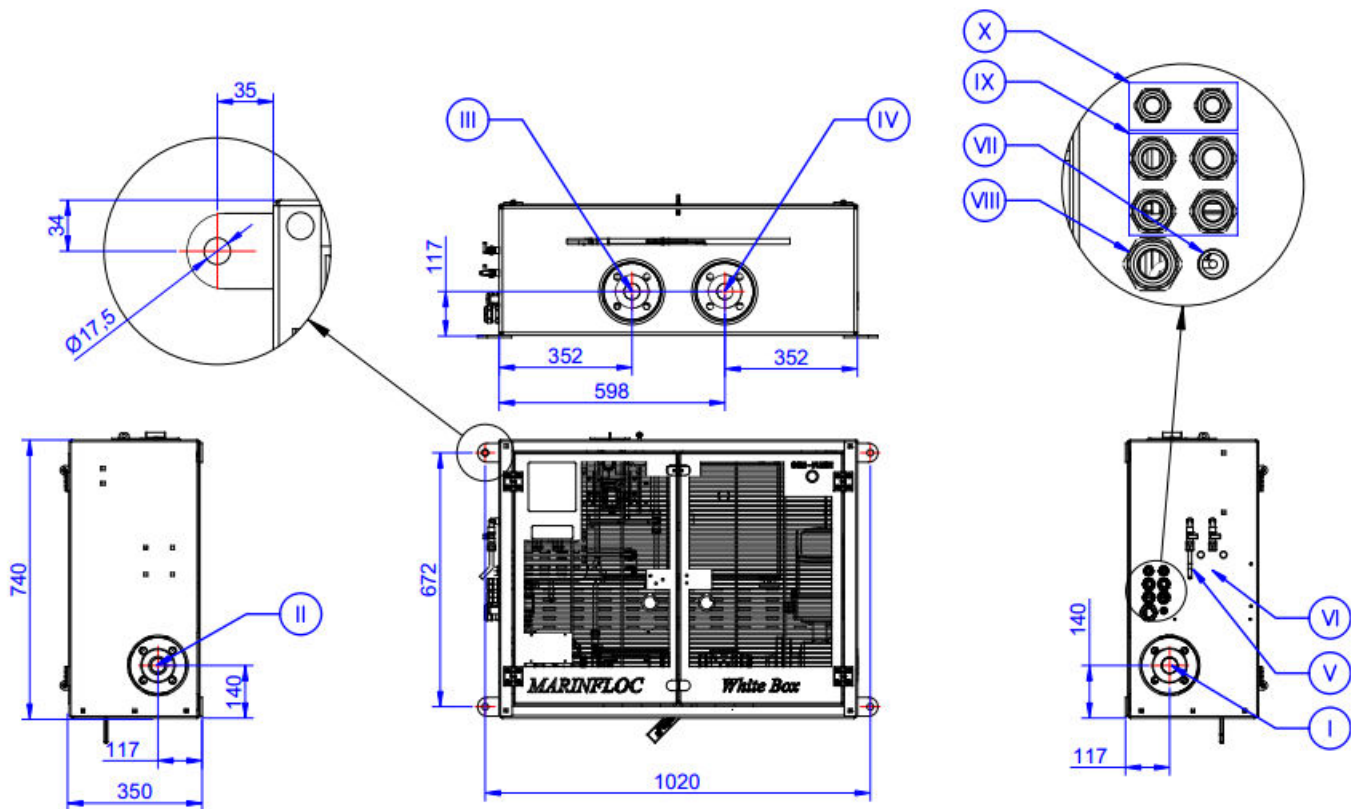


Max capacity of flow rate	20000 l/h
Max surrounding temperature	50°C (To be cooled by vent. system)
Max water temperature *	60°C
Operating pressure	0.25 – 0.40 MPa
Electric power consumption	75 W
IP-class	IP54
Voltage supply	230 Vac, 50-60 Hz
Fuse	6 A
General Service Air Pressure	0.6-0.9 MPa
Flanges	DIN, DN40, PN16
Total weight	105 Kg
Size: Lenght,Width, Height	950 x 350 x 740 mm

Marinfloc AB, Industrivägen 10 , 472 95 Varekil, Sweden
 Phone: +46 (0)304 606300
 Fax: +46 (0)304 10051
 E-mail: marinfloc@marinfloc.com



Made in Sweden
by Marinfloc



Pos	Denomination	Dim	Thread	Flange	Material	Direction
I	Water inlet	DN40		PN16, ISO, DIN	Stainless	Inlet
II	Water Outlet	DN40		PN16, ISO, DIN	Stainless	Outlet
III	Oil content meter drain & test cock		10mm pipe			Outlet
IV	Cooling water outlet		Bite for 10mm pipe			Outlet
V	Cooling water inlet		Bite for 10mm pipe			Inlet
VI	Cold fresh water inlet		Bite for 10mm pipe			Inlet
VII	Service Air		6-8bar (g) 3/4 (DN10) female thread BSPT			Inlet
VIII	Water return to bilge	DN40		PN16, ISO, DIN	Stainless	Outlet
IX	Water sampling point	DN40		PN16, ISO, DIN	Stainless	Outlet