

200-012ST-PRO
200-012ST-PRO-I (Ice class)

2 NAUTICAL MILES
360° WHITE LIGHT
DOUBLE, HORIZONTALLY MOUNTED

The double LED light consists of two (2) individual lights which can be activated separately. One is dedicated as the primary, the other the secondary.

The Ice class version of the light features a built-in 25W heating element with a temperature sensor that activates when temperatures goes below 3°C. The De-icing is deactivated when temperatures increases to 15°C.

The precision machined 6082 aluminium housing with a hard coated black 50µm anodized surface makes the light a rugged and durable housing for the LEDs and electronics contained within.

The interior is completely filled with a special potting resin making it water- and vibration proof.

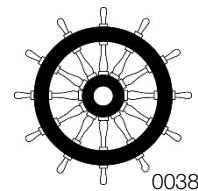
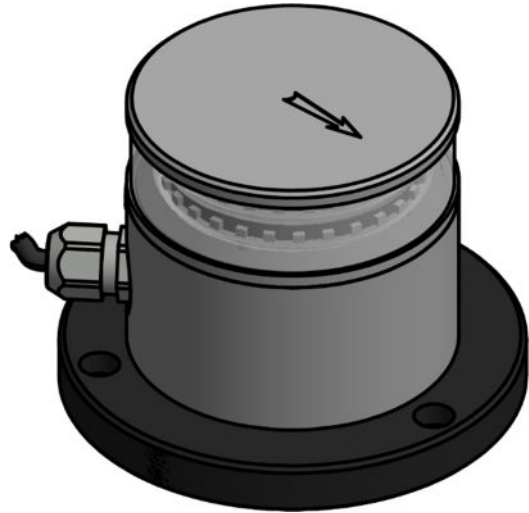
Produced in our in-house manufacturing facility to meet and exceed exacting standards such as EN14744 and UL1104, under a quality management system continuously surveyed by Lloyds Register Quality Assurance.

Each light is subjected to final testing for a minimum of 16 hours of continuous operation bringing the total test time beyond 24 hours.

This navigation light is in compliance with the following standards:

- COLREG72
- EN14744
- IEC 60945
- USCG (UL1104)

Together with an appropriate Control & Monitoring System, such as Lopolight's own NLC* this navigation light can form part of an IMO MSC 253(83), LY3 and LY4 compliant system.



Technical specifications

Vessel size: <50m (<164')

Visibility: >2 nautical miles

Intensity: >5,4cd

Power consumption;

200-012ST-PRO: 1,6 Watt; Current: 0,13A @ 12 VDC – 0,07A @ 24 VDC

200-012ST-PRO-I: 1,6 Watt / 26,6 Watt; Current: 0,07A / 1,1A @ 24 VDC

Operating voltage:

200-012ST-PRO: 10 - 32 VDC

200-012ST-PRO-I: 19 - 32 VDC

Number of LEDs: 28 / 28

Light colour: **White**

Operating temperature: -25°C to +55°C

200-012ST-PRO: -25°C to +55°C

200-012ST-PRO-I: -60°C to +55°C

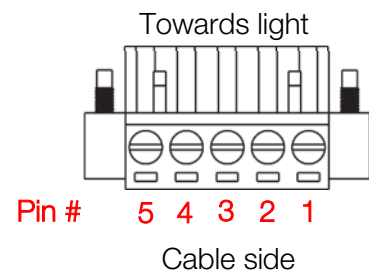
IP rating: **IP68**

Mounting: **Horizontal**

Cable entry: 4 M20x1.5 thread borings for cable glands located on the side and bottom (see drawing for details).

Connector: Accepts leads between 0,25 - 4mm² / 12 - 24 AWG.

- Pin 1 - Primary light power
- Pin 2 - Primary light GND
- Pin 3 - Not used
- Pin 4 - Secondary light power
- Pin 5 - Secondary light GND



The product is in compliance with the following standards:

COLREG72 / EN14744 / IEC 60945 / USCG (UL1104)

Dimensions: **See drawing**

Weight: **1,1kg**

Included in the package:

- 1 pc. Double navigation light on 400-034 aluminium base
- 1 pc. HDPE base plate
- 3 pcs. M6x14 screw
- 2 pcs. M20x1.5 cable gland (cable diameters 7 – 13mm / 0.23' - 0.51')
- 2 pcs. M20x1.5 blinding cap
- 1 pc. Connector plug, 5 PIN
- 2 pcs. M20/M16 reduction kit (cable diameters 4,5 – 10mm / 0.18' - 0.39')
- Installation instructions

Ordering information

BASE OPTION	PART NUMBER BLACK FINISH
400-034 (drawing B- E) CSCD base	200-012ST-PRO
400-034 (drawing B- E) CSCD base	200-012ST-PRO-I

Cabling options

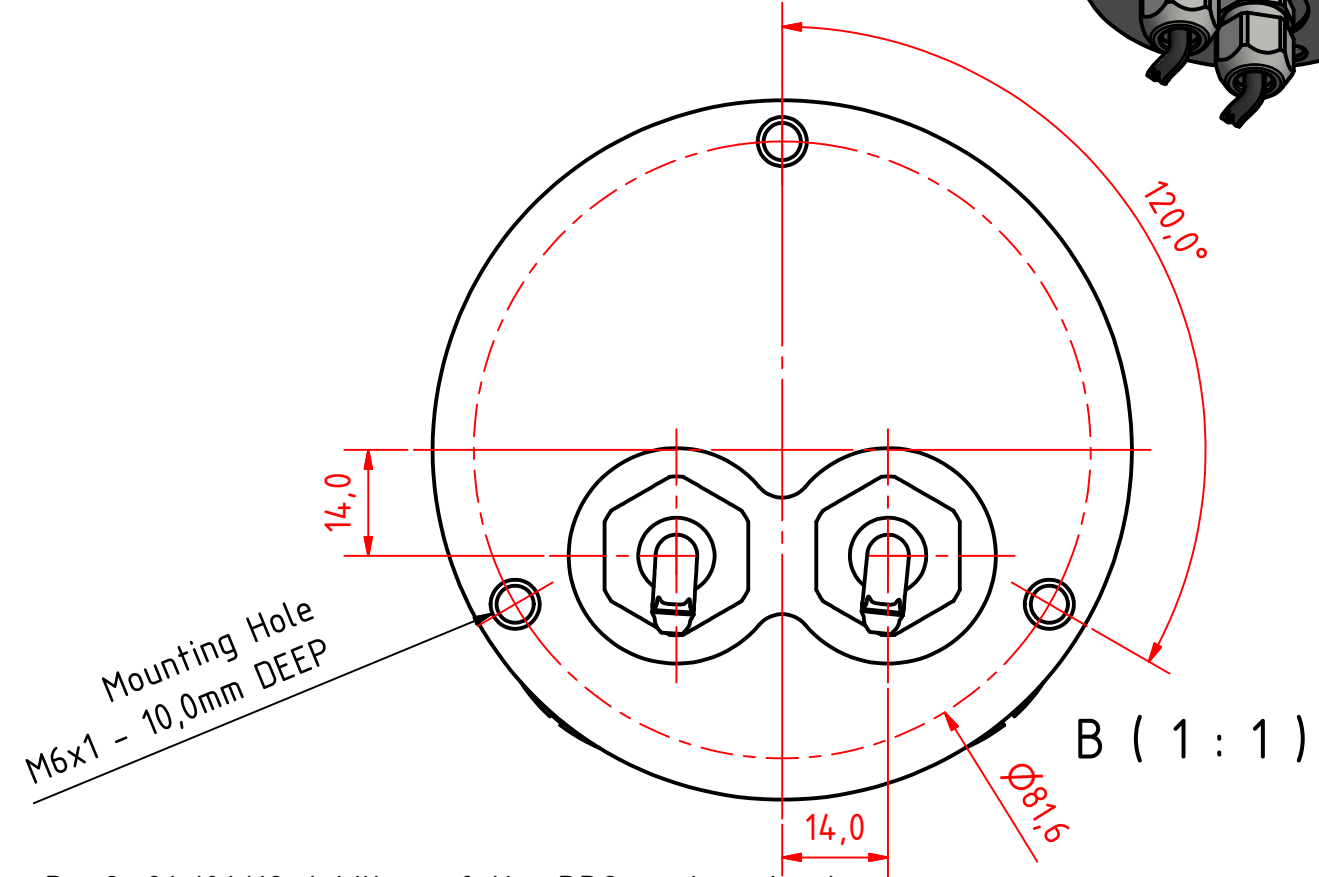
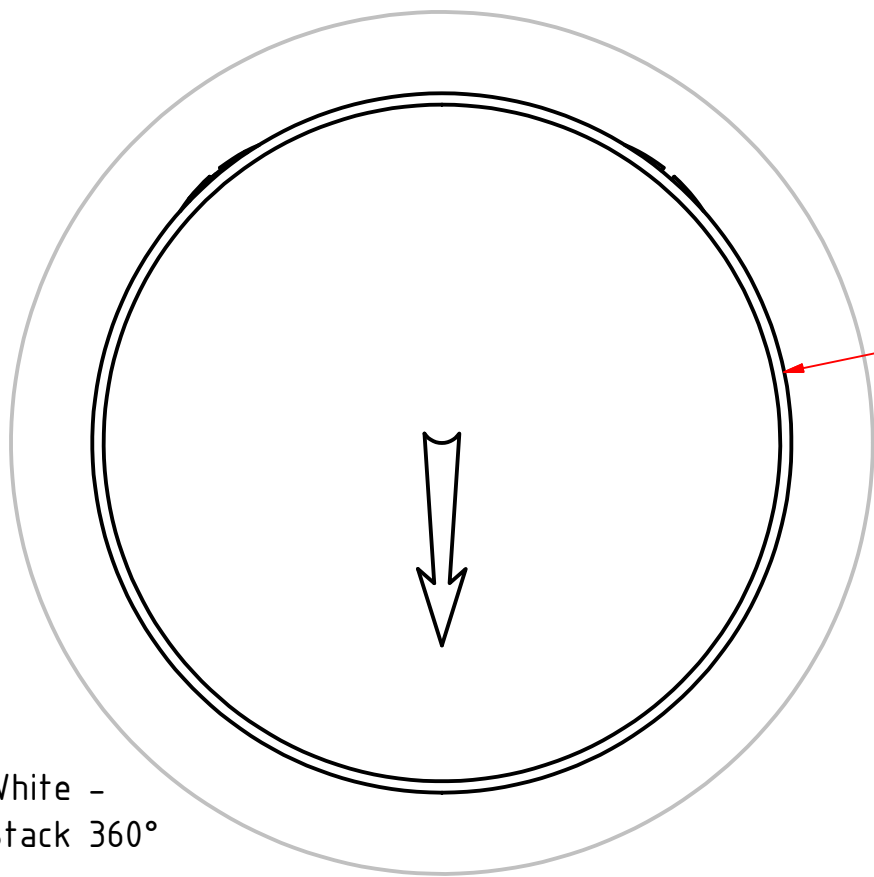
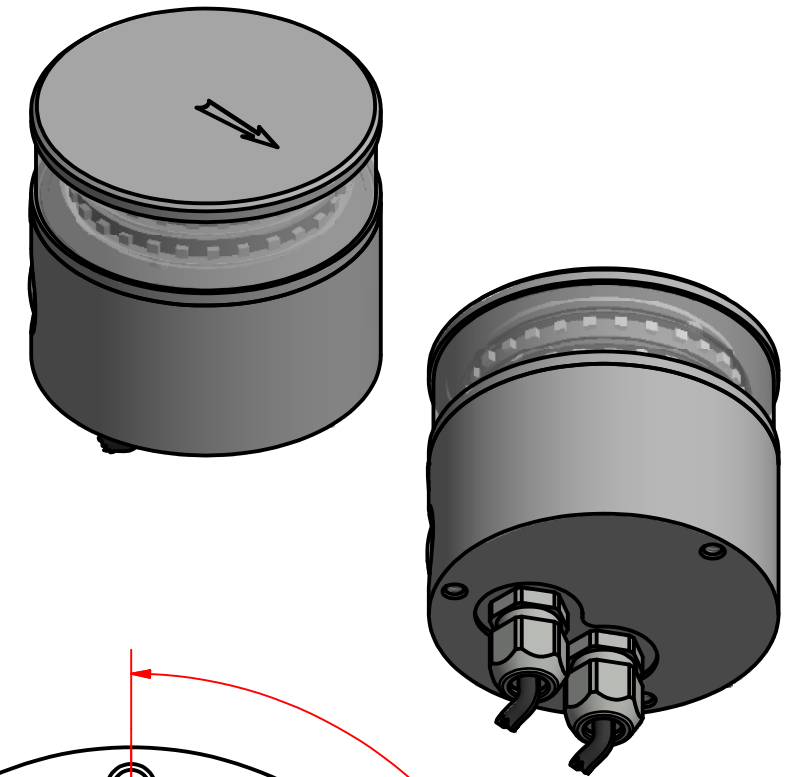
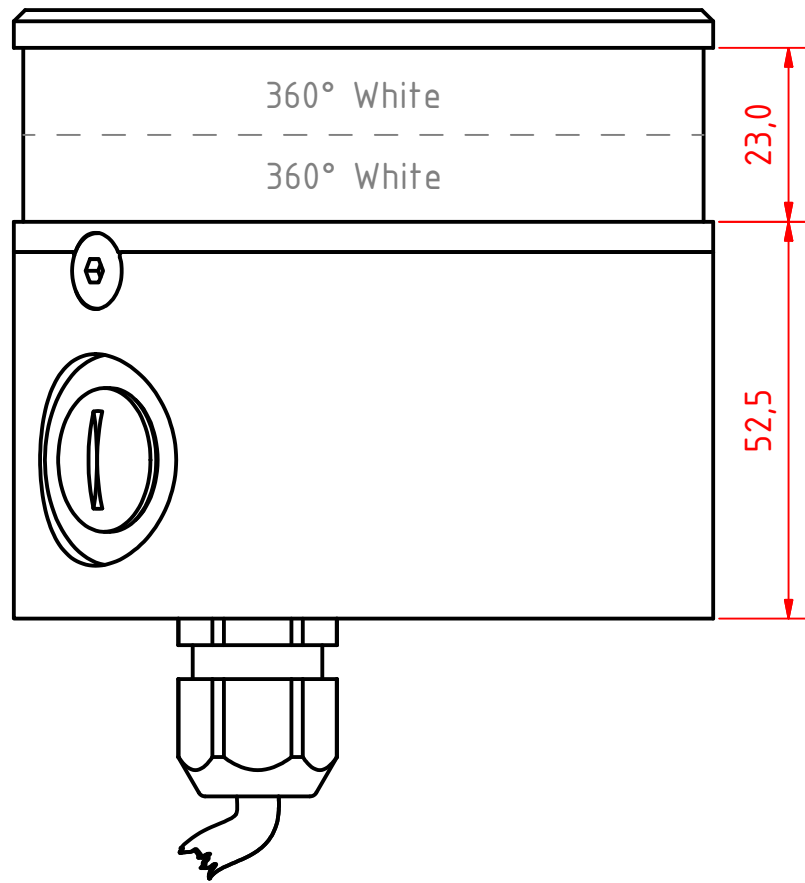
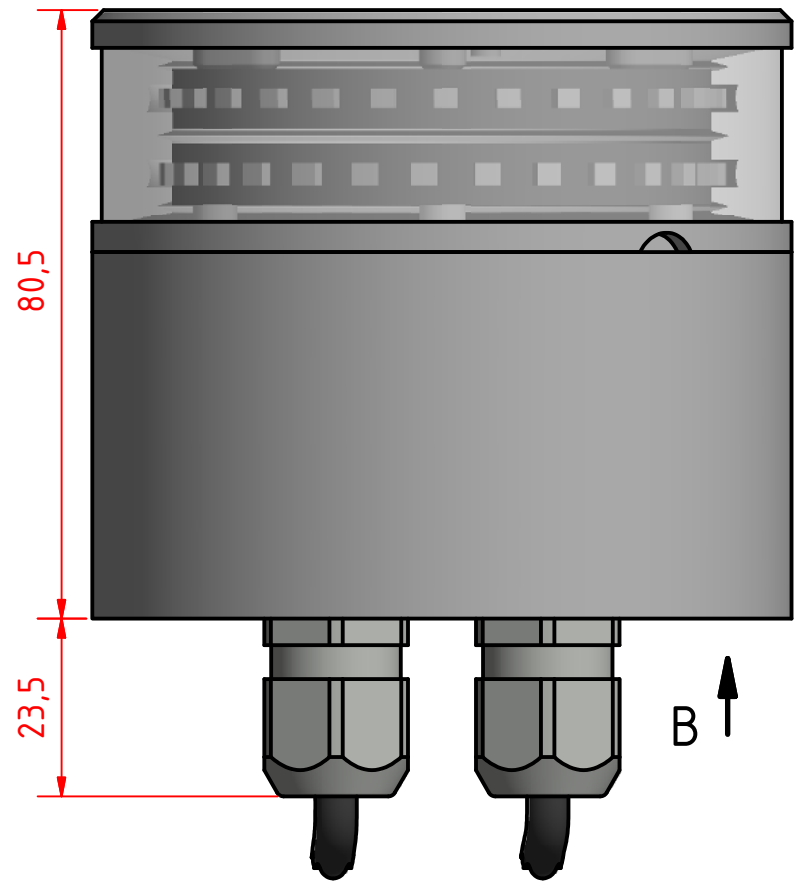
200-012ST-PRO

Cable length	Part number
2m / 6.6' 2-lead 0,5mm ² / 20AWG cable with connector	400-300-2M
4m / 13.1' 2-lead 0,5mm ² / 20AWG cable with connector	400-300-4M
6m / 19.7' 2-lead 0,5mm ² / 20AWG cable with connector	400-300-6M
10m / 32.8' 2-lead 0,5mm ² / 20AWG cable with connector	400-300-10M
12m / 39.4' 2-lead 0,5mm ² / 20AWG cable with connector	400-300-12M
15m / 49.1' 2-lead 0,5mm ² / 20AWG cable with connector	400-300-15M
20m / 65.6' 2-lead 0,5mm ² / 20AWG cable with connector	400-300-20M

Please refer to our cable dimensions chart in regard to which cable size to use if any other lengths than listed above is required.

200-012ST-PRO-I

Please refer to our cable dimensions chart in regard to which cable size to use when installing Ice class lights.



White -
Stack 360°

Rev2: 24/01/18 Addition of the PRO series sheet.
Rev1: 05/02/15 Construction alteration and Drawing number alteration.

200-012ST, 360° White - Anchor, Double Stack, 400-034 Promount, Cable Down.

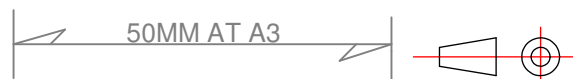
DRAWING NO.: 200-012BH	REV. NO.: 2	SIZE: A3	DRAWN BY: Sergio
SCALE: 1:1	TOLERANCES: DS/ISO 2768-f	REVIEWED BY:	CREATION DATE: 25-09-2014
MATERIAL DESCRIPTION: EN 6082 Alu, Acrylic. (20µ) Silver anodized according to EN ISO 7599 (50µ) Black anodized according to MIL-A 8625F			

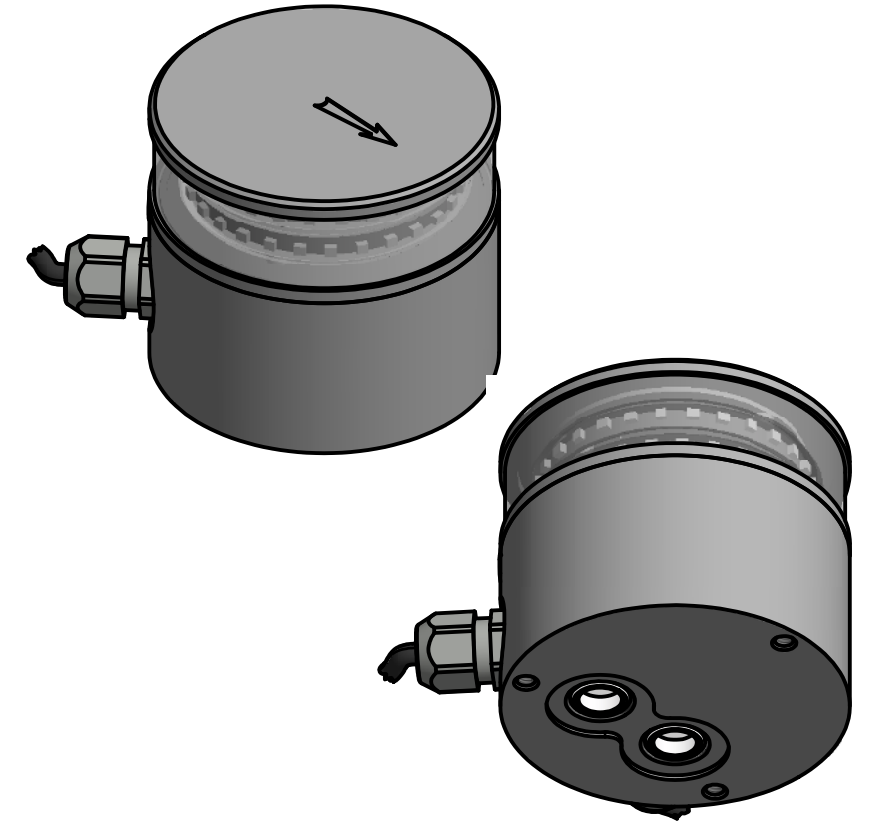
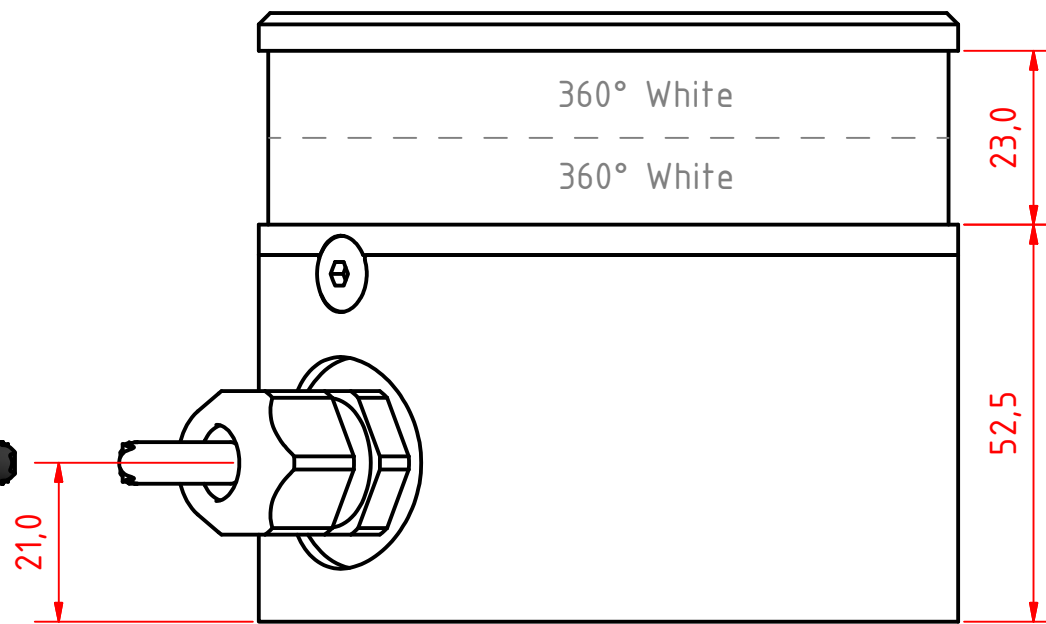
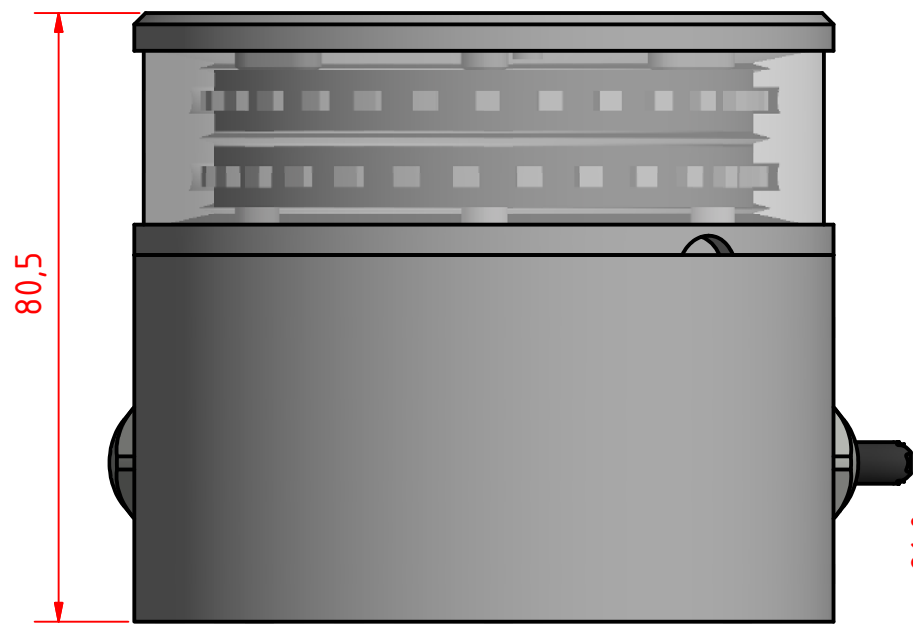


Lopolight ApS
Ved Klaedebo 12
DK-2970, Hoersholm
Denmark
www.lopolight.com

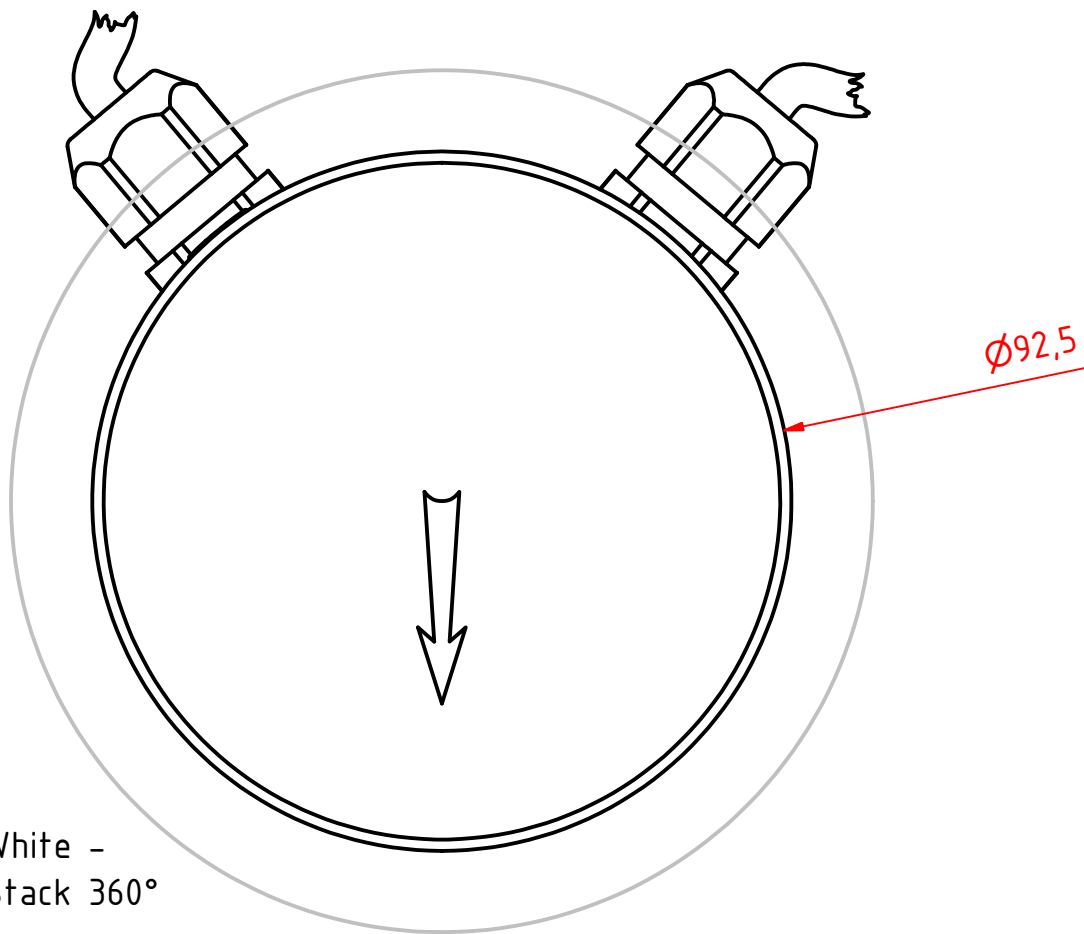
This Drawing, and the information within, is the property of Lopolight ApS and may not be used in any form without express permission there from. Lopolight reserves the right to change this drawing and assumes no liability for the information communicated herein. Use of dimensions and other information in this drawing is at the users own risk.

Tel:(+45) 32 48 50 30 Fax:(+45) 32 48 50 32
info@lopolight.com

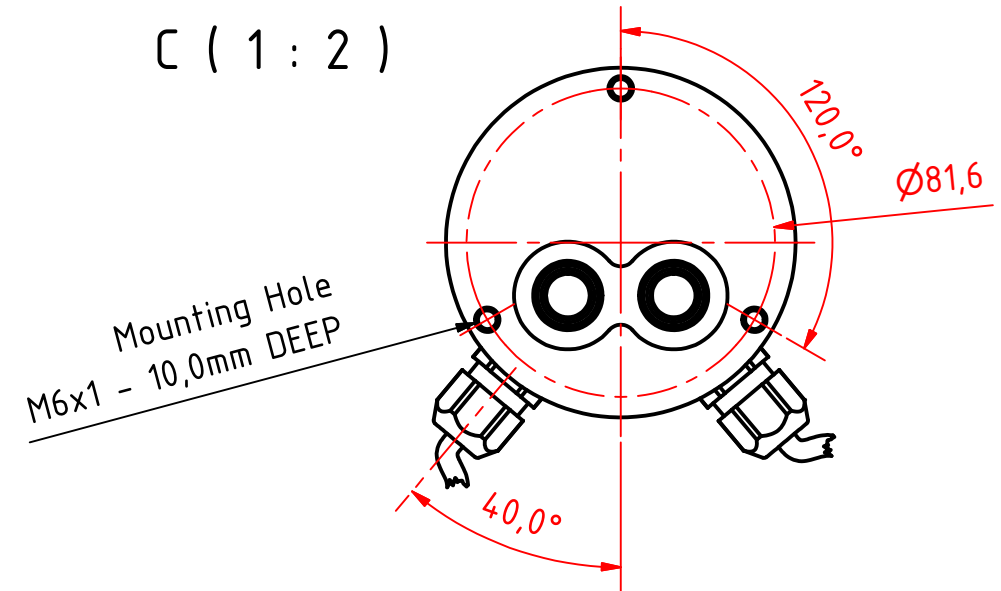




C ↑



C (1 : 2)



Rev2: 24/01/18 Addition of the PRO series sheet.

Rev1: 05/02/15 Construction alteration and Drawing number alteration.

200-012ST, 360° White - Anchor, Double Stack, 400-034 Promount, Cable Side

DRAWING NO.:	REV. NO.:	SIZE:	DRAWN BY:
200-012CH	2	A3	Sergio
SCALE:	TOLERANCES:	REVIEWED BY:	CREATION DATE:
1:1	DS/ISO 2768-f		25-09-2014

MATERIAL DESCRIPTION:
 (20µ) Silver anodized according to EN ISO 7599
 (50µ) Black anodized according to MIL-A 8625F

This Drawing, and the information within, is the property of Lopolight ApS and may not be used in any form without express permission there from. Lopolight reserves the right to change this drawing and assumes no liability for the information communicated herein. Use of dimensions and other information in this drawing is at the users own risk.

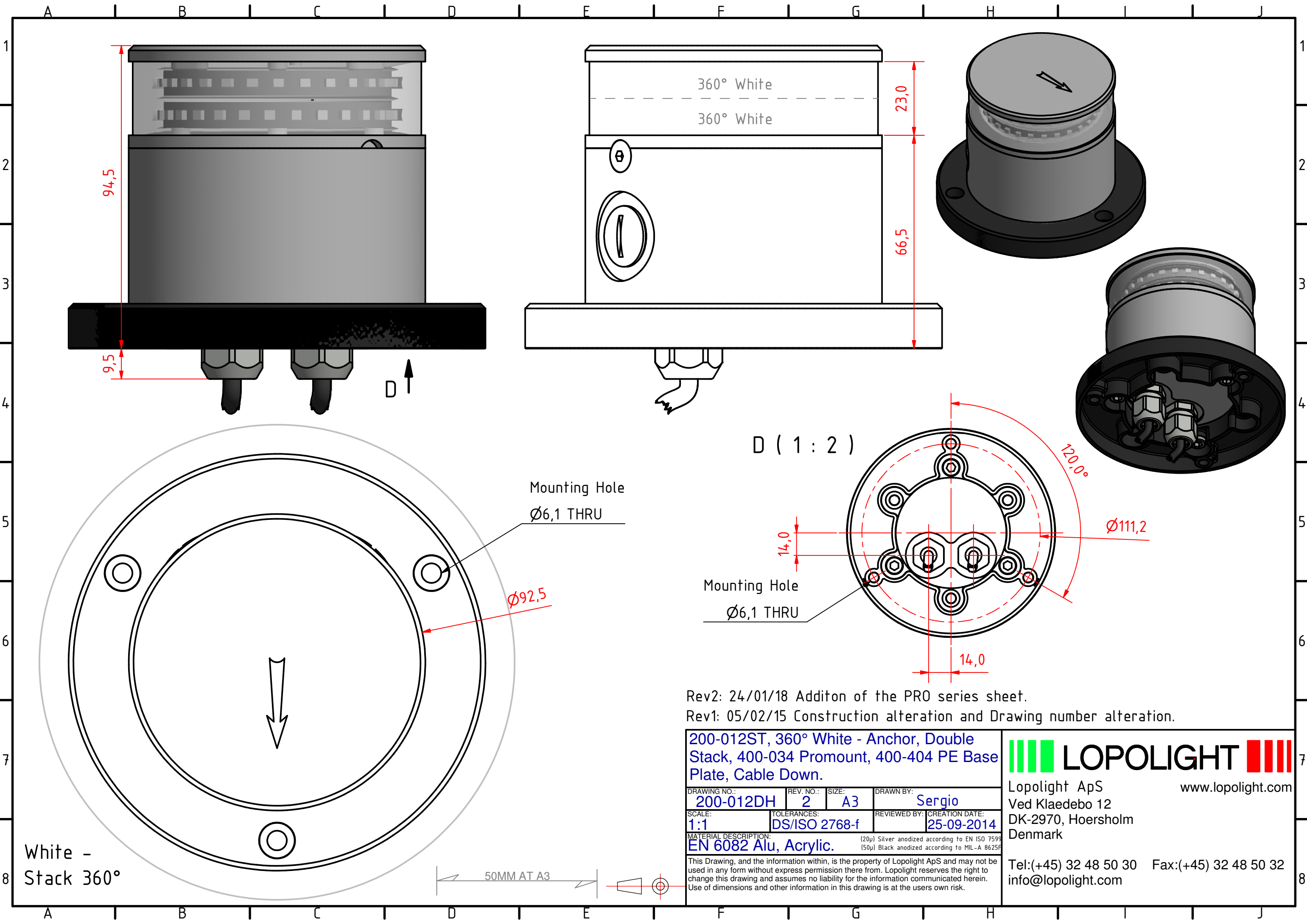


Lopolight ApS www.lopolight.com
 Ved Klaedebo 12
 DK-2970, Hoersholm
 Denmark

Tel:(+45) 32 48 50 30 Fax:(+45) 32 48 50 32
 info@lopolight.com



White -
Stack 360°



Rev2: 24/01/18 Addition of the PRO series sheet.
 Rev1: 05/02/15 Construction alteration and Drawing number alteration.

200-012ST, 360° White - Anchor, Double Stack, 400-034 Promount, 400-404 PE Base Plate, Cable Down.

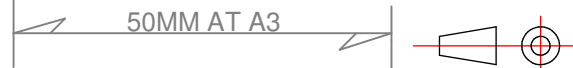
DRAWING NO.:	REV. NO.:	SIZE:	DRAWN BY:
200-012DH	2	A3	Sergio
SCALE:	TOLERANCES:	REVIEWED BY:	CREATION DATE:
1:1	DS/ISO 2768-f		25-09-2014

MATERIAL DESCRIPTION:
 EN 6082 Alu, Acrylic. (20µ) Silver anodized according to EN ISO 7599 (50µ) Black anodized according to MIL-A 8625F

This Drawing, and the information within, is the property of Lopolight ApS and may not be used in any form without express permission therefrom. Lopolight reserves the right to change this drawing and assumes no liability for the information communicated herein. Use of dimensions and other information in this drawing is at the users own risk.

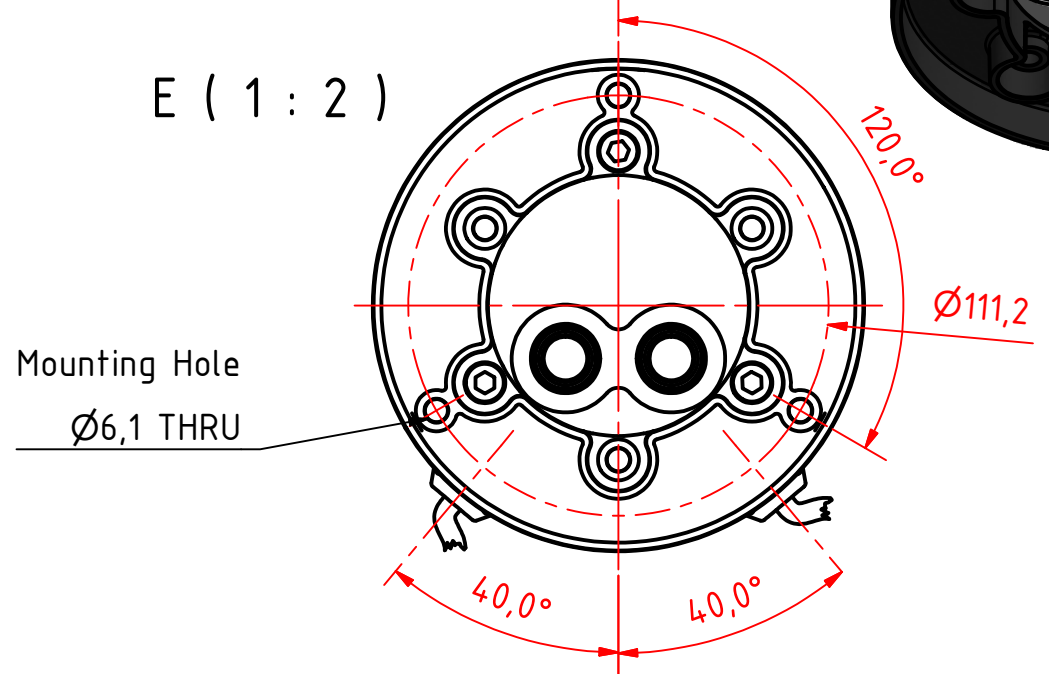
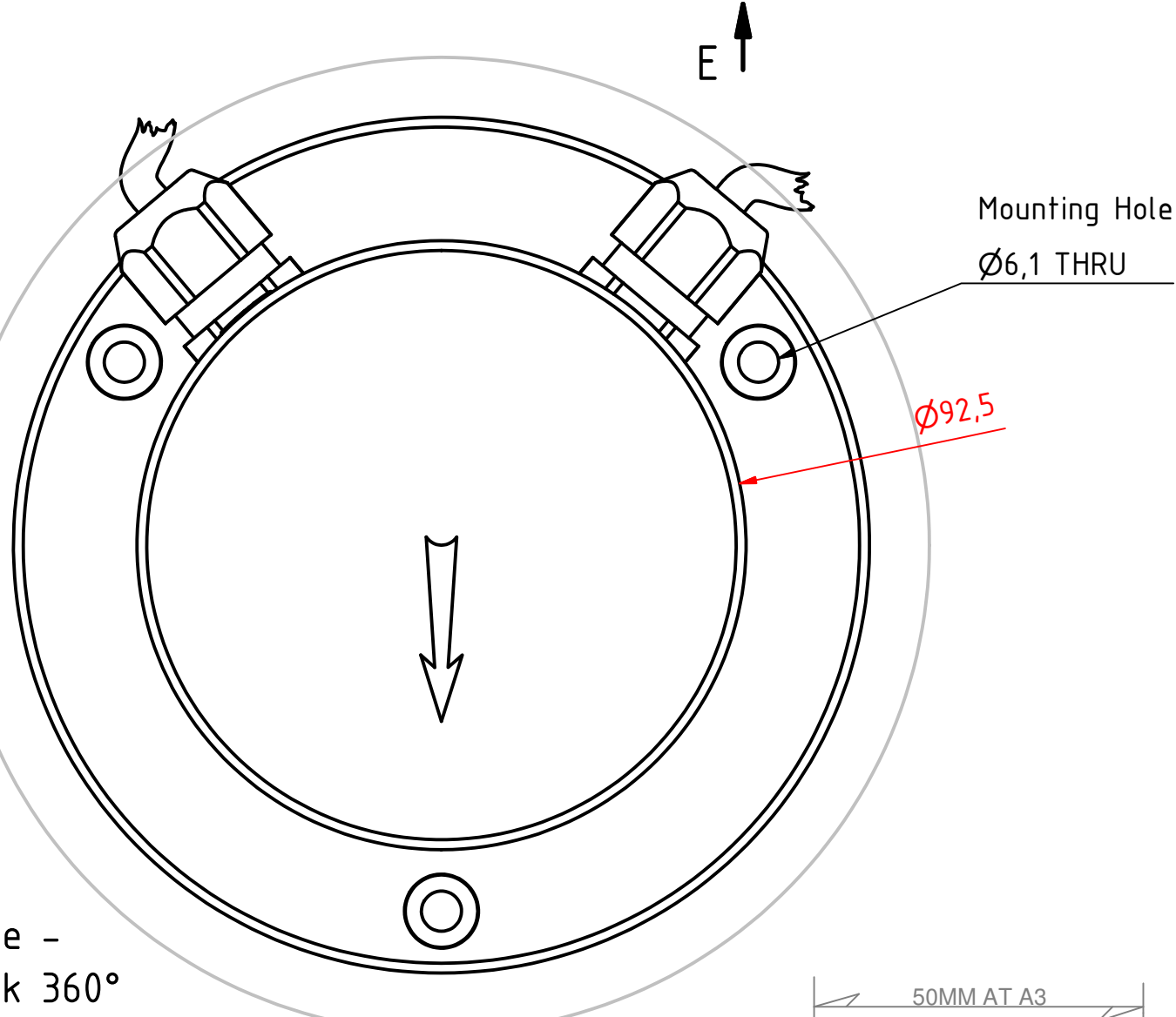
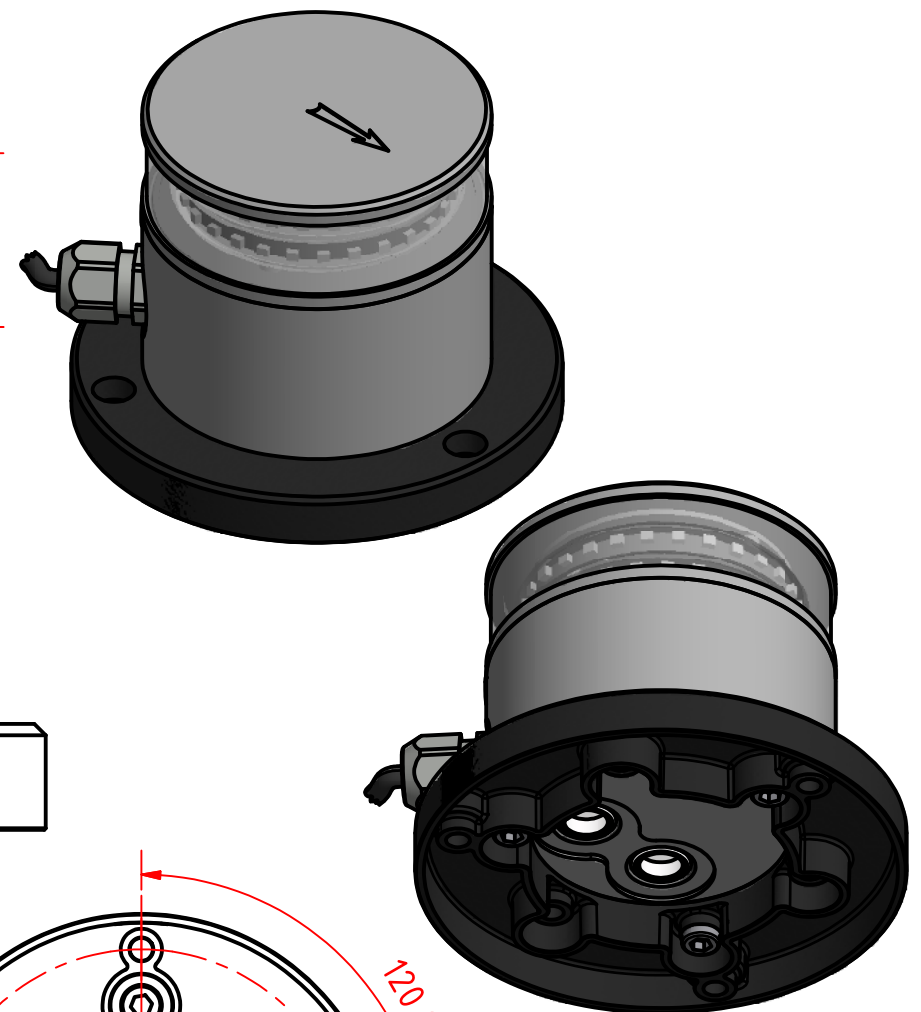
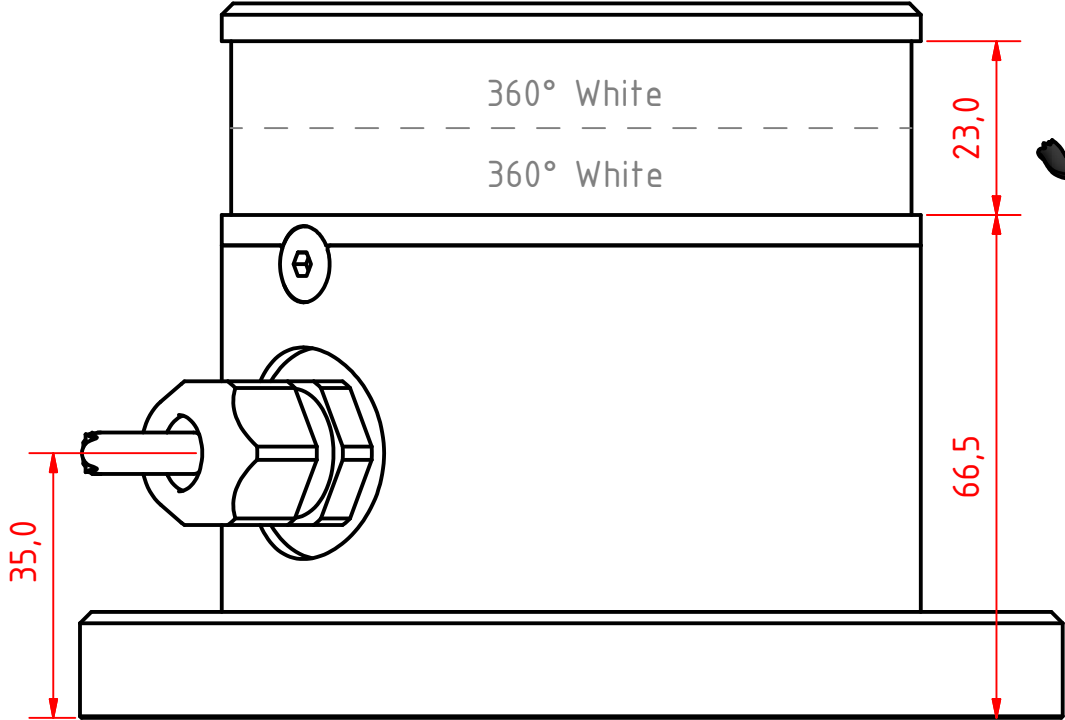
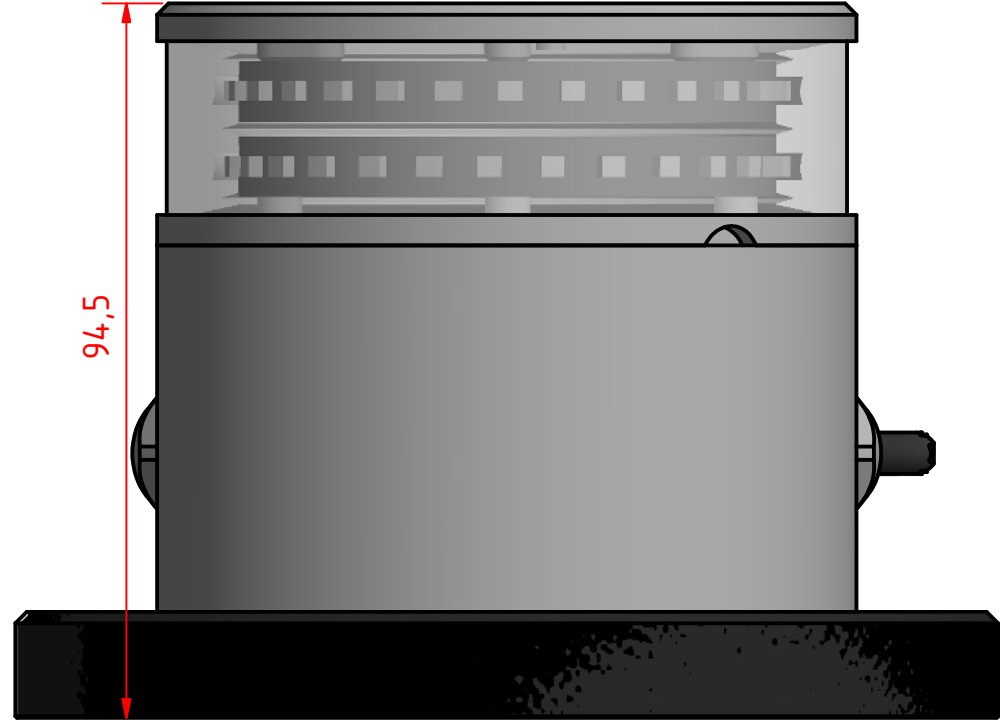
LOPOLIGHT
 Lopolight ApS
 Ved Klaedebo 12
 DK-2970, Hoersholm
 Denmark
 www.lopolight.com
 Tel:(+45) 32 48 50 30 Fax:(+45) 32 48 50 32
 info@lopolight.com

White -
 Stack 360°



A B C D E F G H I J

1
2
3
4
5
6
7
8



Rev2: 24/01/18 Addition of the PRO series sheet.
 Rev1: 05/02/15 Construction alteration and Drawing number alteration.

200-012ST, 360° White - Anchor, Double Stack, 400-034 Promount, 400-404 PE Base Plate, Cable Side

DRAWING NO.: 200-012EH	REV. NO.: 2	SIZE: A3	DRAWN BY: Sergio
SCALE: 1:1	TOLERANCES: DS/ISO 2768-f	REVIEWED BY:	CREATION DATE: 25-09-2014

MATERIAL DESCRIPTION:
EN 6082 Alu, Acrylic. (20µ) Silver anodized according to EN ISO 7599 (50µ) Black anodized according to MIL-A 8625F

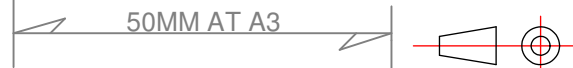
This Drawing, and the information within, is the property of Lopolight ApS and may not be used in any form without express permission there from. Lopolight reserves the right to change this drawing and assumes no liability for the information communicated herein. Use of dimensions and other information in this drawing is at the users own risk.



LOPOLIGHT
 Lopolight ApS
 Ved Klaedebo 12
 DK-2970, Hoersholm
 Denmark
www.lopolight.com

Tel:(+45) 32 48 50 30 Fax:(+45) 32 48 50 32
 info@lopolight.com

White -
 Stack 360°



A B C D E F G H I J