

201-011KL-PRO
201-011KL-PRO-I (Ice class)

225° MASTHEAD LIGHT, SINGLE, HORIZONTALLY MOUNTED

This LED navigation light consists of two high-power LEDs that produces light in the specified angle utilizing special designed PMMA light guides.

The Ice class version of the light features a built-in 25W heating element with a temperature sensor that activates when temperatures goes below 3°C. The De-icing is deactivated when temperatures increases to 15°C.

The precision machined 6082 aluminium housing with an anodized surface makes the light a rugged and durable housing for the LEDs and electronics contained within.

The interior is completely filled with a special potting resin making it water- and vibration proof.

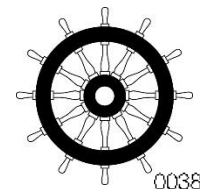
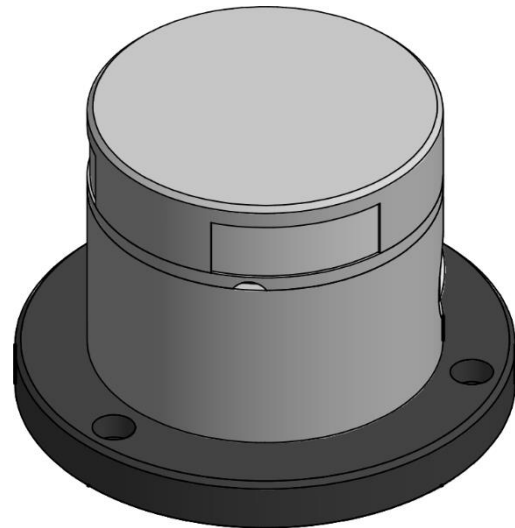
Produced in our in-house manufacturing facility to meet and exceed exacting standards such as EN14744 and UL1104, under a quality management system continuously surveyed by Lloyds Register Quality Assurance.

Each light is subjected to final testing for a minimum of 16 hours of continuous operation bringing the total test time beyond 24 hours.

This navigation light is in compliance with the following standards:

- COLREG72
- EN14744
- IEC 60945
- USCG (UL1104)

Together with an appropriate Control & Monitoring System, such as Lopolight's own NLC* this navigation light can form part of an IMO MSC 253(83), LY3 and LY4 compliant system.



Technical specifications

Vessel size: 12m – 20m (39.4' – 65.6')

Visibility: >3 nautical miles

Intensity: >15cd

Power consumption:

201-011KL-PRO: 2,9 Watt; Current: 0,23A @12 VDC - 0,13A @24 VDC

201-011KL-PRO-I: 2,9 Watt / 27,9 Watt; Current: 0,13A / 1,3A @ 24 VDC

Operating voltage:

201-011KL-PRO: 10 - 32 VDC

201-011KL-PRO-I: 19 - 32 VDC

Number of LEDs: 2

Light colour: **White**

Operating temperature:

201-011KL-PRO: -25°C to +55°C

201-011KL-PRO-I: -60°C to +55°C

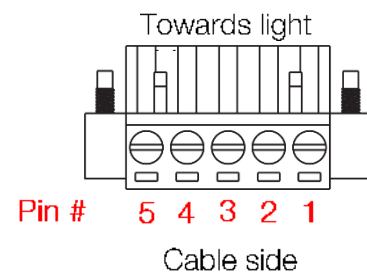
IP rating: IP68

Mounting: Horizontal

Cable entry: 4 M20x1.5 thread borings for cable glands located on the side and bottom (see drawing for details).

Connector: Accepts leads between 0,25 - 4mm² / 12 - 24 AWG.

- Pin 1 - Power
- Pin 2 - GND
- Pin 3 -Not used
- Pin 4 - Not used
- Pin 5 - Not used



The product is in compliance with the following standards:
COLREG72/ EN14744 / IEC 60945 / USCG (UL1104)

Dimensions: **See drawing**

Weight: **0,8kg**

Warranty:

Lopolight products are covered by a 5-year limited warranty.

Warranty conditions can be found on www.lopolight.com/Service

Included in the package:

- 1 pc. Navigation light on 400-034 aluminium base
- 1 pc. HDPE base plate
- 3 pcs. M6x14 screw
- 1 pc. M20x1.5 cable gland (cable diameters 7 – 13mm / 0.23' - 0.51')
- 3 pcs. M20x1.5 blinding cap
- 1 pc. Connector plug, 5 PIN
- 1 pc. M20/M16 reduction kit (cable diameters 4,5 – 10mm / 0.18' - 0.39')
- Installation instructions

Ordering information

BASE OPTION	PART NUMBER BLACK FINISH
400-034 (drawing A - D) CSCD base	201-011KL-PRO
400-034 (drawing A - D) CSCD base	201-011KL-PRO-I

Cabling options

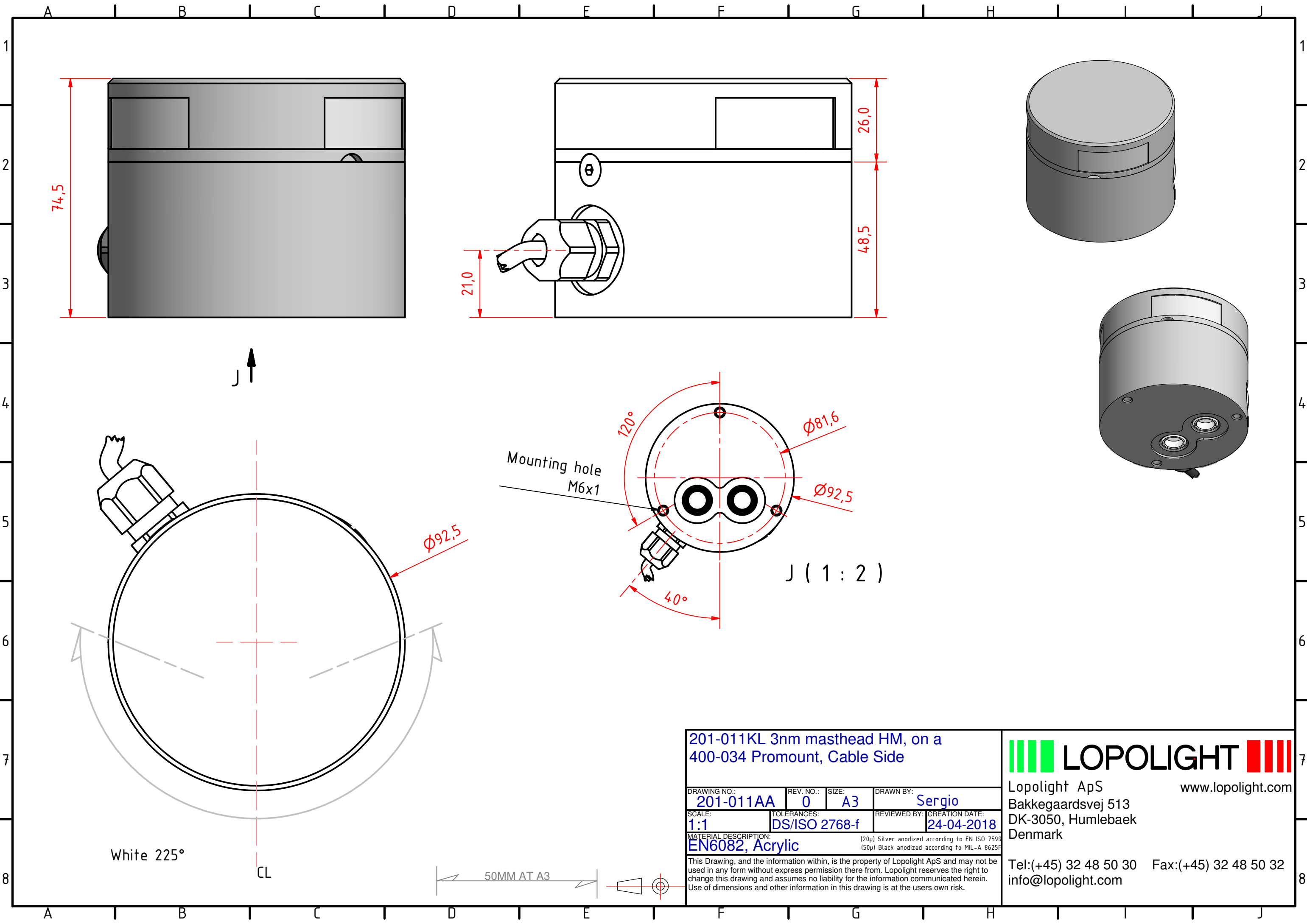
201-011KL-PRO

Cable length	Part number
2m / 6.6' 2-lead 0,5mm ² / 20AWG cable with connector	400-300-2M
4m / 13.1' 2-lead 0,5mm ² / 20AWG cable with connector	400-300-4M
6m / 19.7' 2-lead 0,5mm ² / 20AWG cable with connector	400-300-6M
10m / 32.8' 2-lead 0,5mm ² / 20AWG cable with connector	400-300-10M
12m / 39.4' 2-lead 0,5mm ² / 20AWG cable with connector	400-300-12M
15m / 49.1' 2-lead 0,5mm ² / 20AWG cable with connector	400-300-15M
20m / 65.6' 2-lead 0,5mm ² / 20AWG cable with connector	400-300-20M

Please refer to our cable dimensions chart in regard to which cable size to use if any other lengths than listed above is required.

201-011KL-PRO-I

Please refer to our cable dimensions chart in regard to which cable size to use when installing Ice class lights.



201-011KL 3nm masthead HM, on a
400-034 Promount, Cable Side

DRAWING NO.:	REV. NO.:	SIZE:	DRAWN BY:
201-011AA	0	A3	Sergio
SCALE:	TOLERANCES:	REVIEWED BY:	CREATION DATE:
1:1	DS/ISO 2768-f		24-04-2018

MATERIAL DESCRIPTION:
EN6082, Acrylic

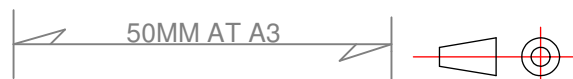
(20µ) Silver anodized according to EN ISO 7599
(50µ) Black anodized according to MIL-A 8625F
This Drawing, and the information within, is the property of Lopolight ApS and may not be used in any form without express permission there from. Lopolight reserves the right to change this drawing and assumes no liability for the information communicated herein. Use of dimensions and other information in this drawing is at the users own risk.

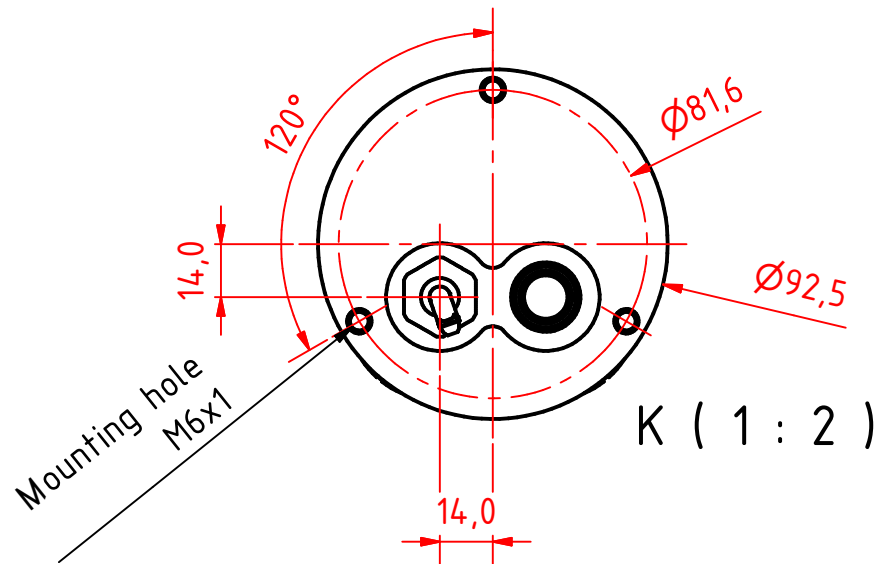
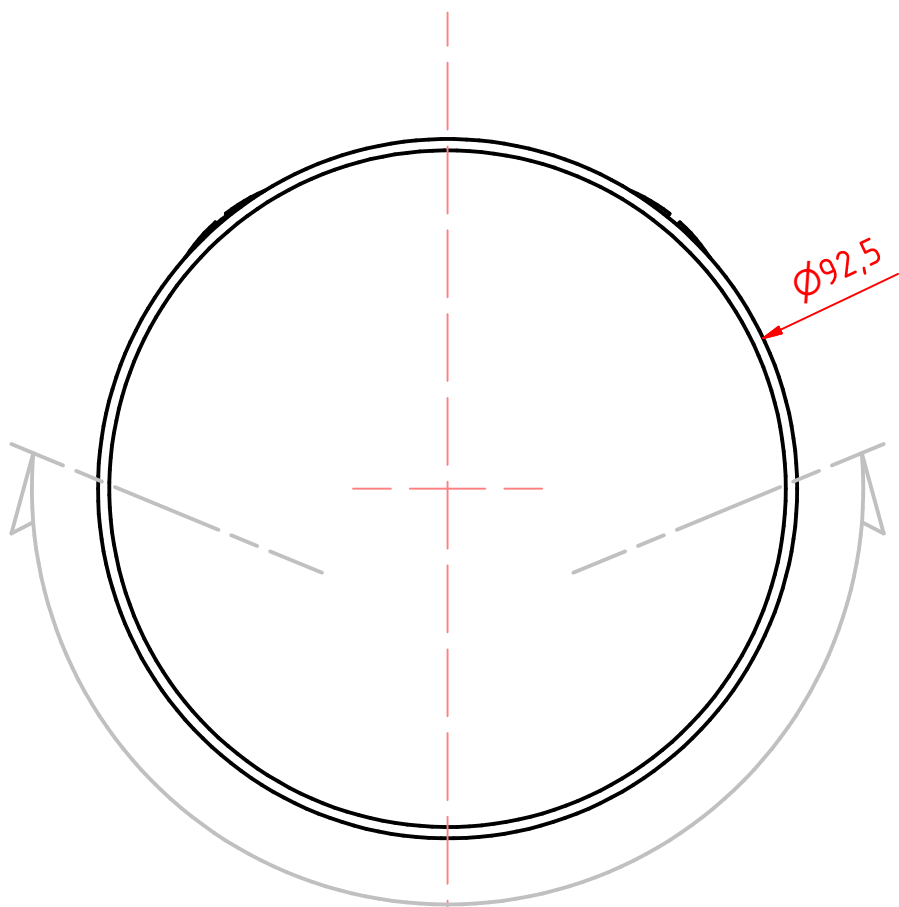
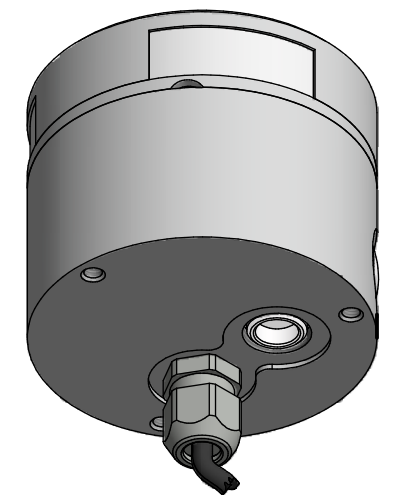
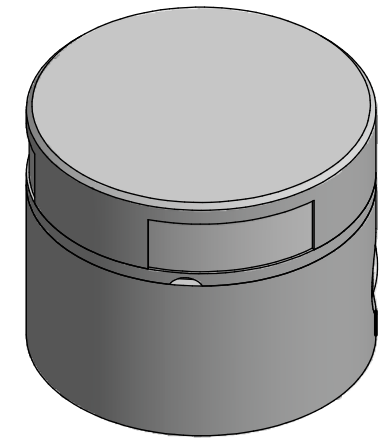
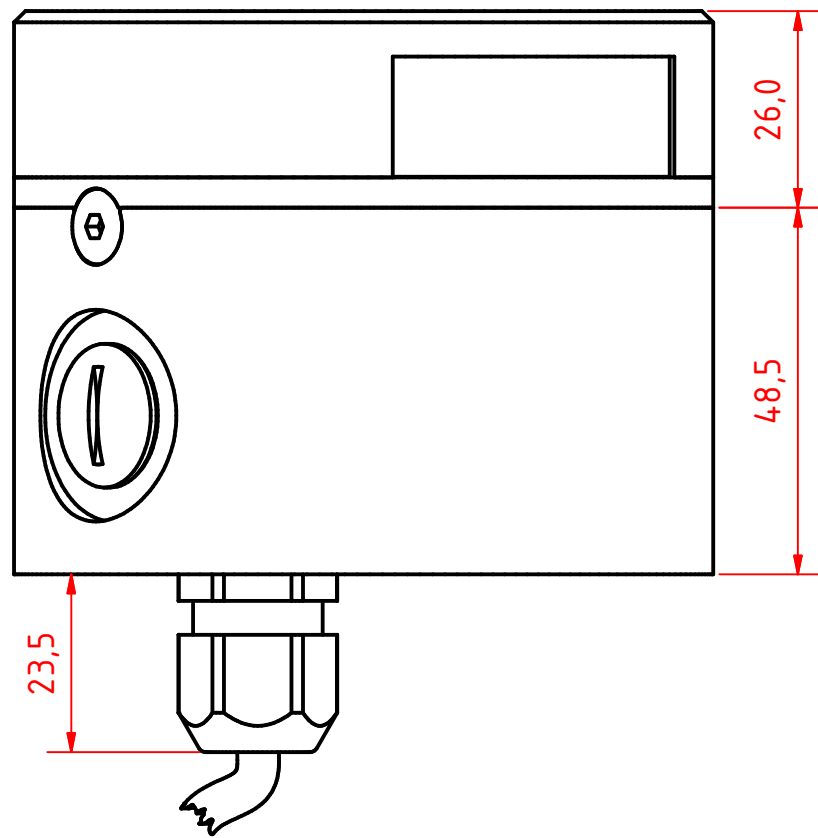
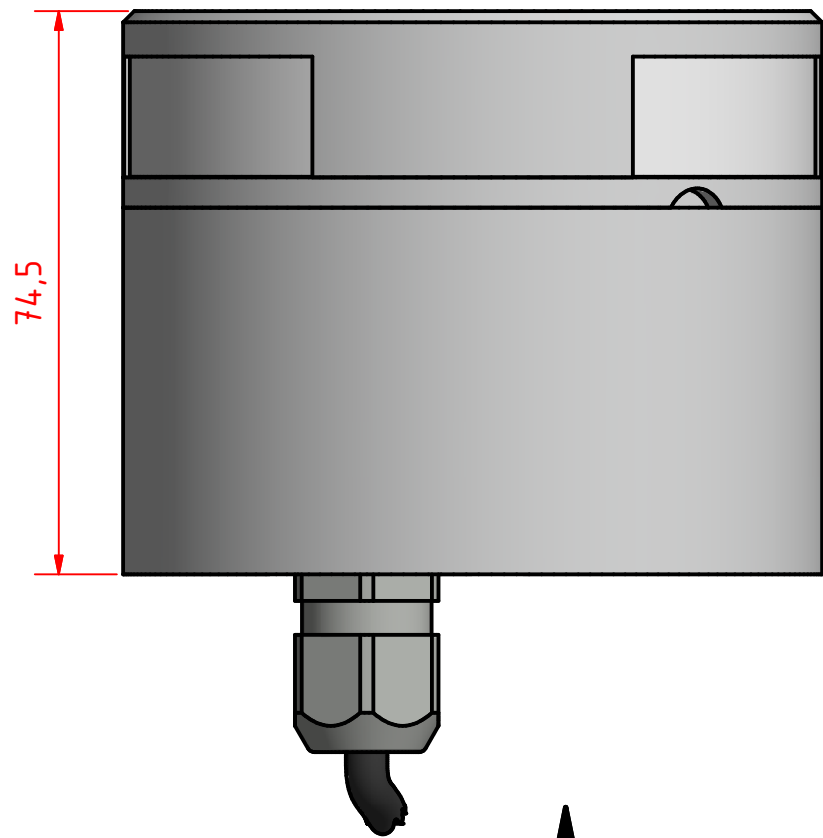


Lopolight ApS
Bakkegaardsvej 513
DK-3050, Humlebaek
Denmark

Tel:(+45) 32 48 50 30 Fax:(+45) 32 48 50 32
info@lopolight.com

www.lopolight.com





White 225°

50MM AT A3

201-011KL 3nm masthead HM, on a
400-034 Promount, Cable Down

DRAWING NO.:	REV. NO.:	SIZE:	DRAWN BY:
201-011BA	0	A3	Sergio
SCALE:	TOLERANCES:	REVIEWED BY:	CREATION DATE:
1:1	DS/ISO 2768-f		24-04-2018

MATERIAL DESCRIPTION:
EN6082, Acrylic (20µ) Silver anodized according to EN ISO 7599
(50µ) Black anodized according to MIL-A 8625F

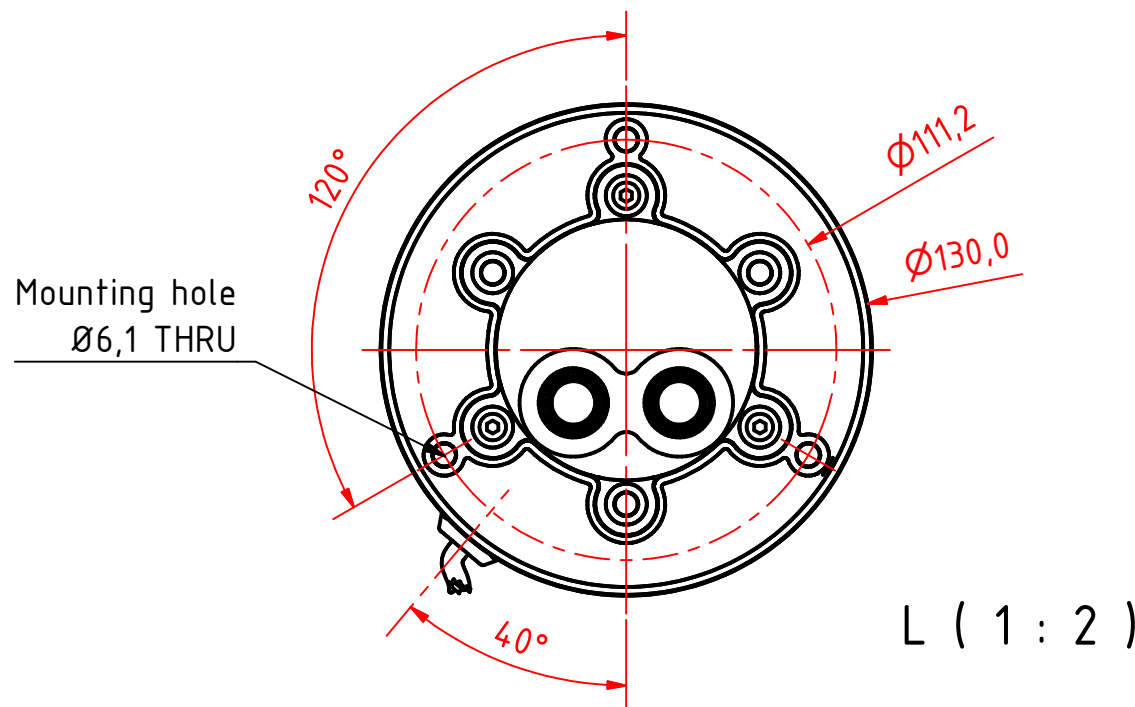
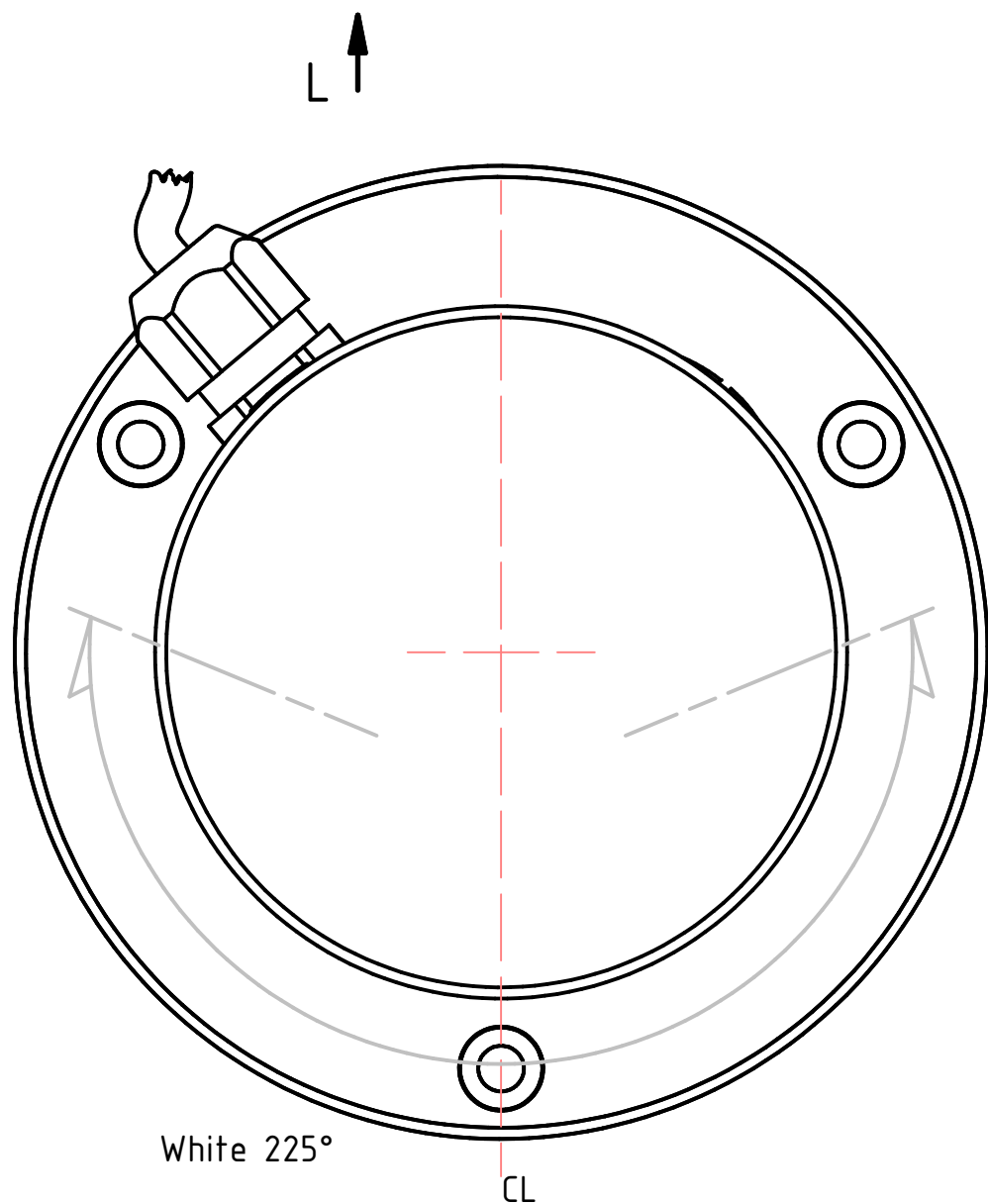
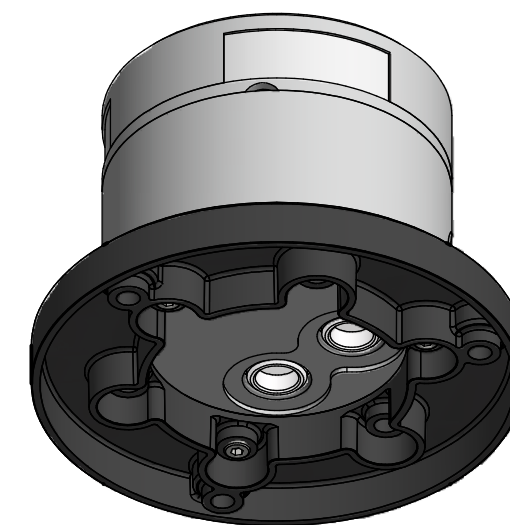
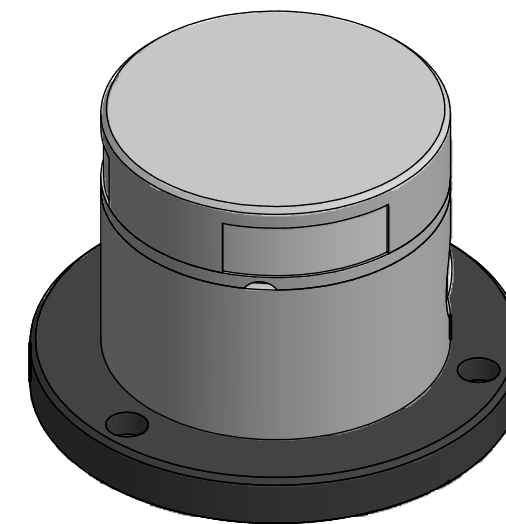
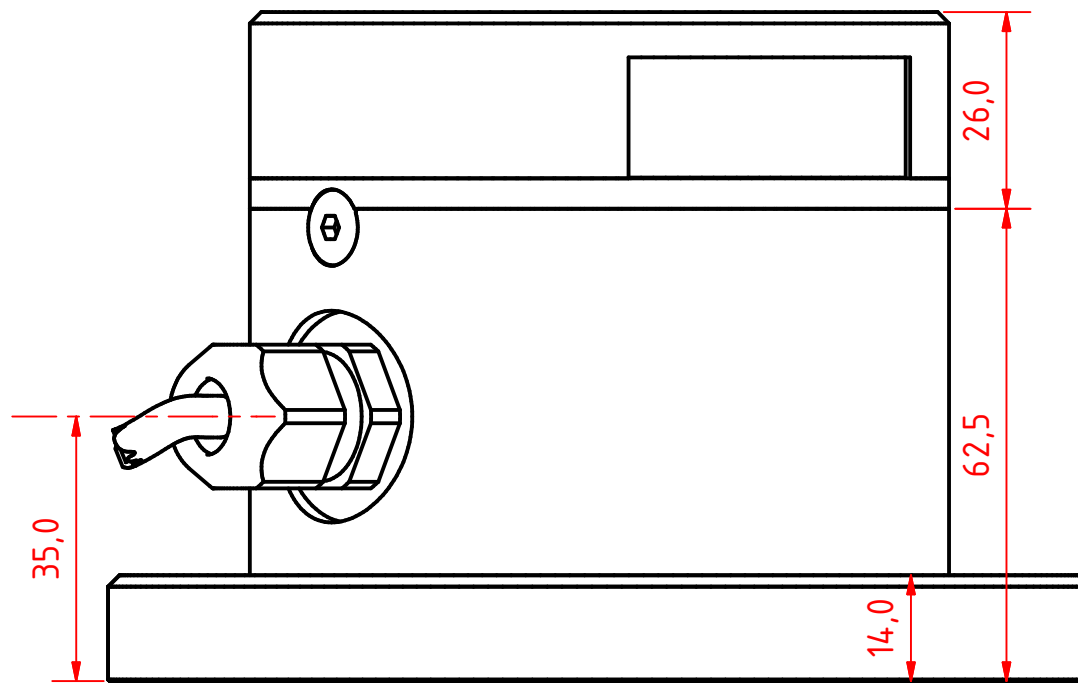
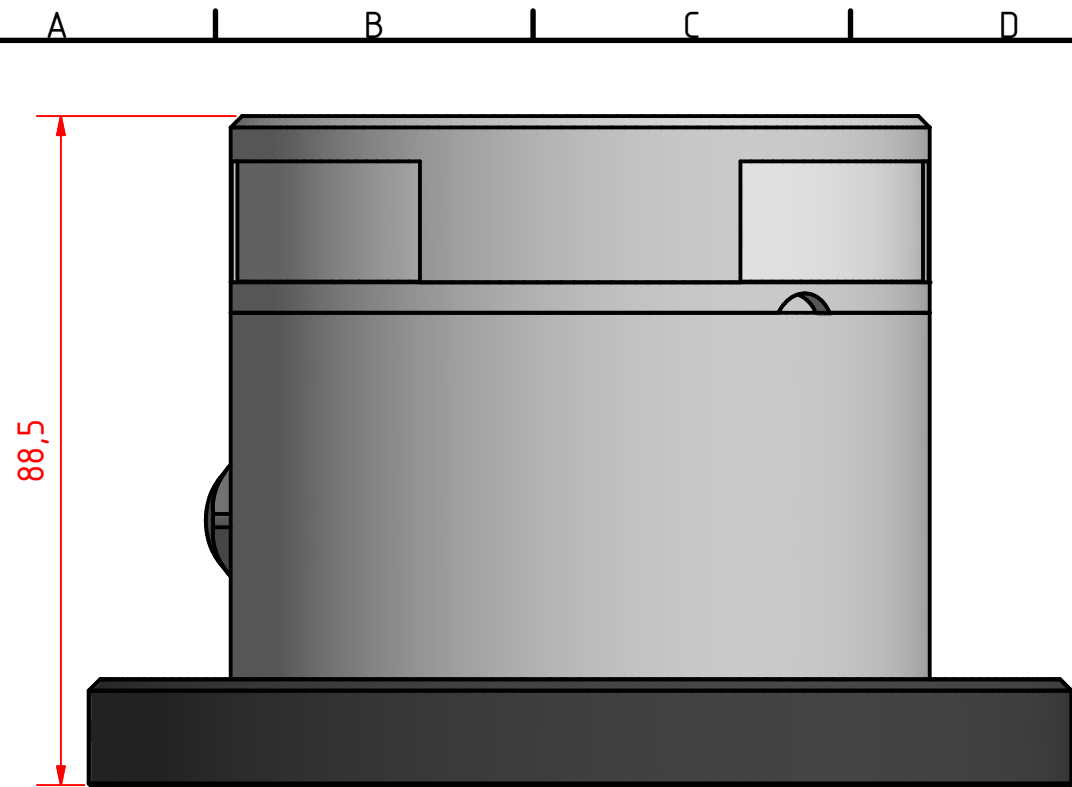
This Drawing, and the information within, is the property of Lopolight ApS and may not be used in any form without express permission there from. Lopolight reserves the right to change this drawing and assumes no liability for the information communicated herein. Use of dimensions and other information in this drawing is at the users own risk.



Lopolight ApS
Bakkegaardsvej 513
DK-3050, Humlebaek
Denmark

Tel:(+45) 32 48 50 30 Fax:(+45) 32 48 50 32
info@lopolight.com

www.lopolight.com



201-011KL 3nm masthead HM, on a 400-034 Promount base and 400-404 PE base plate, Cable Side

DRAWING NO.: 201-011CA	REV. NO.: 0	SIZE: A3	DRAWN BY: Sergio
SCALE: 1:1	TOLERANCES: DS/ISO 2768-f	REVIEWED BY:	CREATION DATE: 24-04-2018

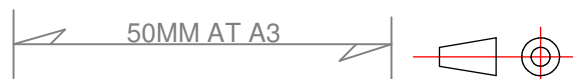
MATERIAL DESCRIPTION:
EN6082, Acrylic, PE (20µ) Silver anodized according to EN ISO 7599 (50µ) Black anodized according to MIL-A 8625F

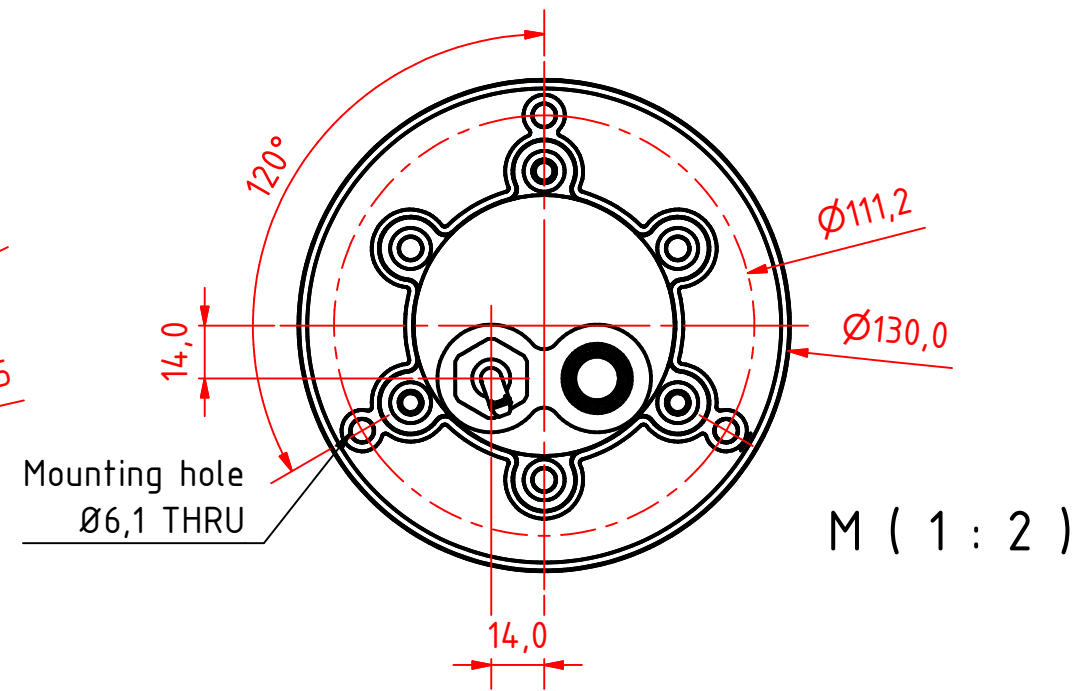
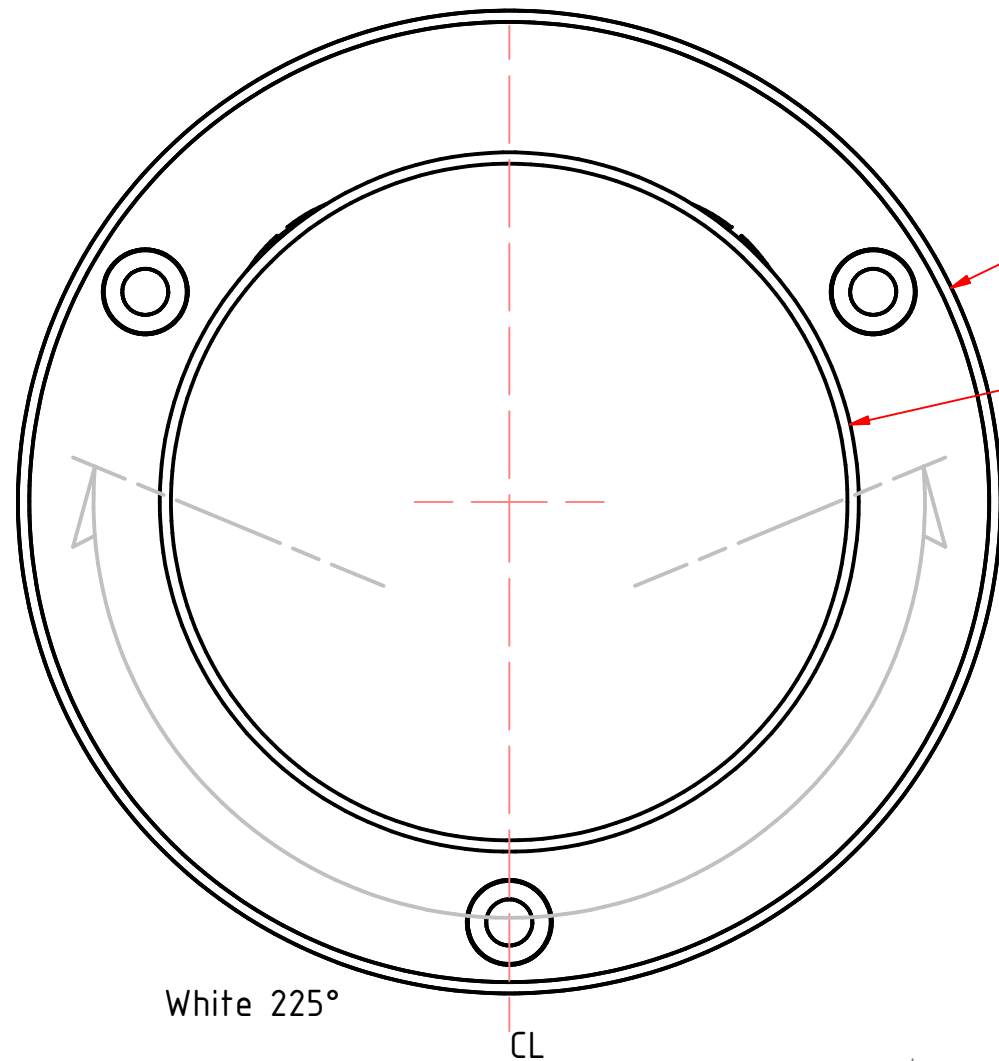
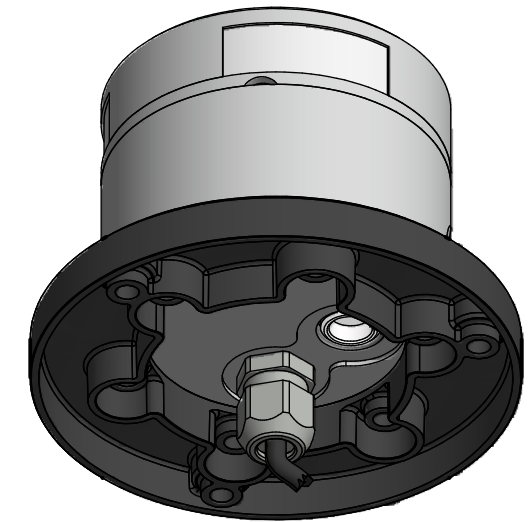
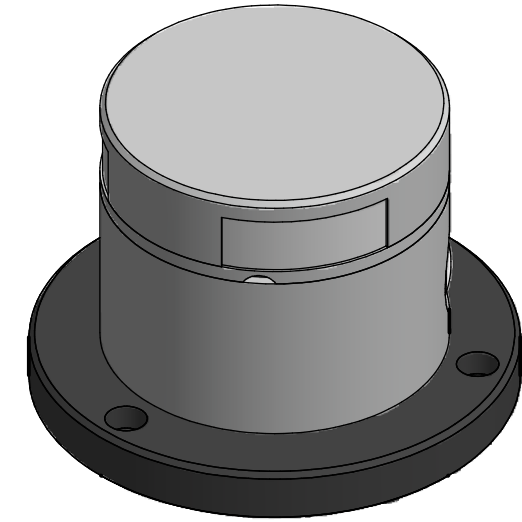
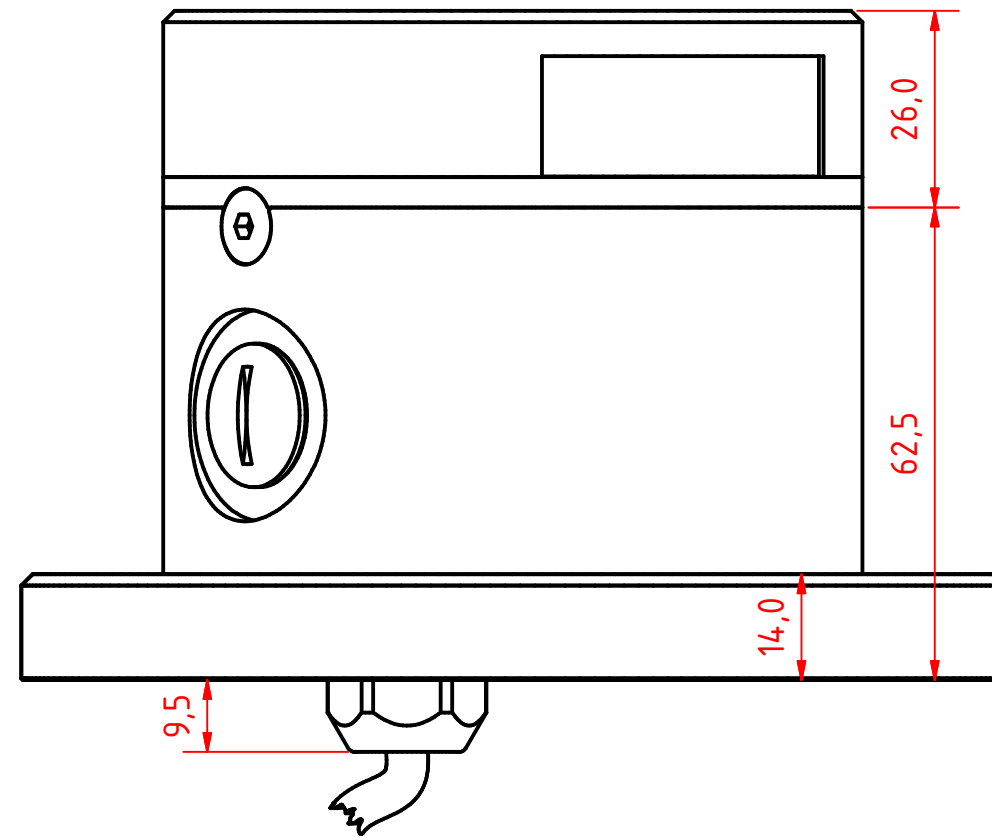
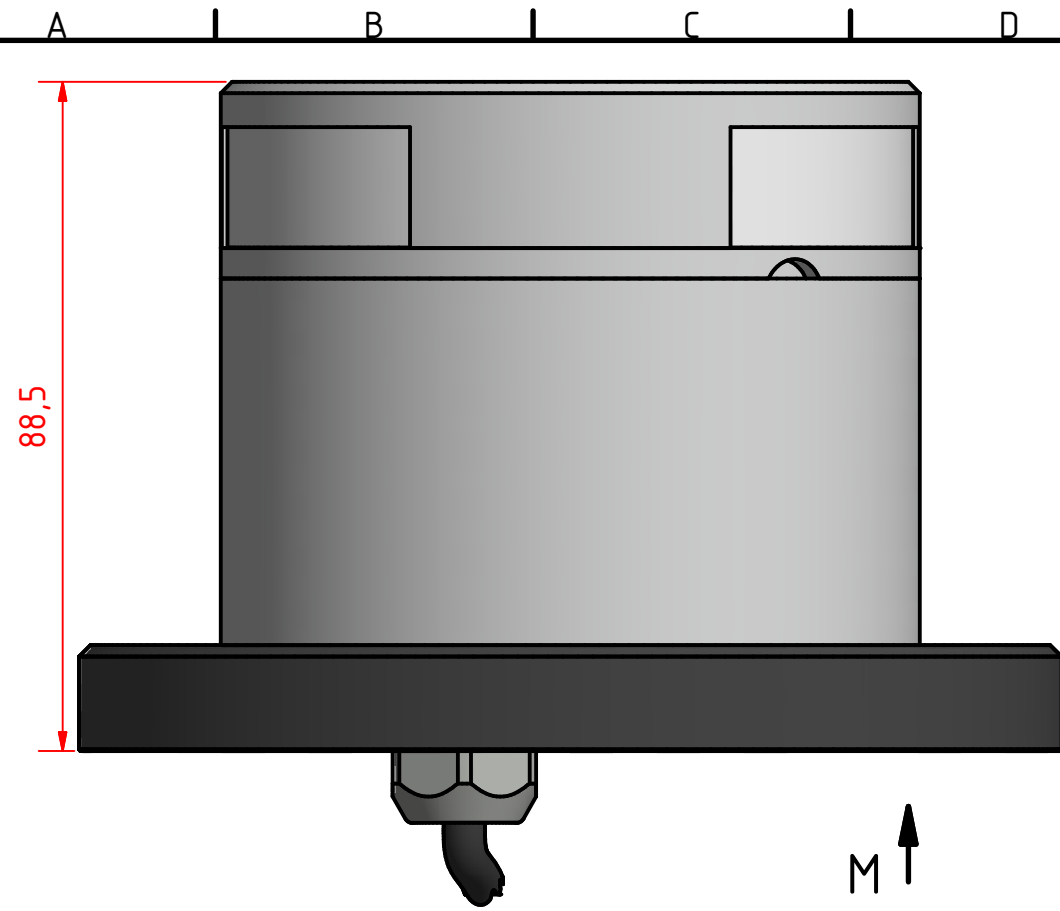


Lopolight ApS
Bakkegaardsvej 513
DK-3050, Humlebaek
Denmark
www.lopolight.com

This Drawing, and the information within, is the property of Lopolight ApS and may not be used in any form without express permission there from. Lopolight reserves the right to change this drawing and assumes no liability for the information communicated herein. Use of dimensions and other information in this drawing is at the users own risk.

Tel:(+45) 32 48 50 30 Fax:(+45) 32 48 50 32
info@lopolight.com





201-011KL 3nm masthead HM, on a 400-034 Promount base and 400-404 PE base plate, Cable Down			
DRAWING NO.: 201-011DA	REV. NO.: 0	SIZE: A3	DRAWN BY: Sergio
SCALE: 1:1	TOLERANCES: DS/ISO 2768-f	REVIEWED BY:	CREATION DATE: 24-04-2018
MATERIAL DESCRIPTION: EN6082, Acrylic			
<small>(20µ) Silver anodized according to EN ISO 7599 (50µ) Black anodized according to MIL-A 8625F</small>			
<small>This Drawing, and the information within, is the property of Lopolight ApS and may not be used in any form without express permission there from. Lopolight reserves the right to change this drawing and assumes no liability for the information communicated herein. Use of dimensions and other information in this drawing is at the users own risk.</small>			

LOPOLIGHT
 Lopolight ApS
 Bakkegaardsvej 513
 DK-3050, Humlebaek
 Denmark
 www.lopolight.com
 Tel:(+45) 32 48 50 30 Fax:(+45) 32 48 50 32
 info@lopolight.com

