

225° MASTHEAD LIGHT, SINGLE, HORIZONTALLY MOUNTED

2 nautical miles	201-010KL (<12m / <39.4')
3 nautical miles	201-011KL (12m – 20M / 39.4' - 65.6')

This LED navigation light consists of two high-power LEDs that produces light in the specified angle utilizing special designed PMMA light guides.

The precision machined 6082 aluminium housing with an anodized surface makes the light a rugged and durable housing for the LEDs and electronics contained within.

The interior is completely filled with a special potting resin making it water- and vibration proof.

Produced in our in-house manufacturing facility to meet and exceed exacting standards such as EN14744 and UL1104, under a quality management system continuously surveyed by Lloyds Register Quality Assurance.

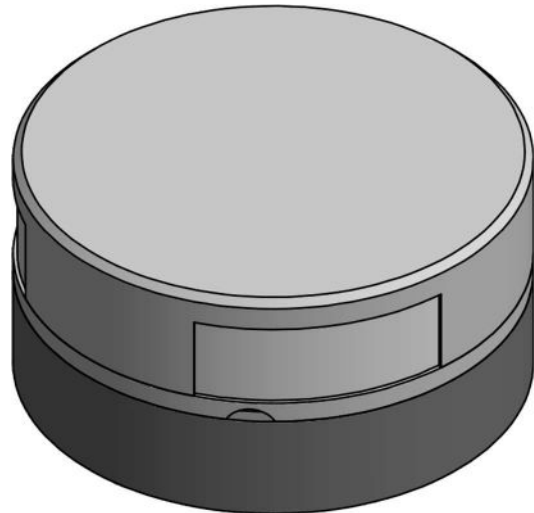
Each light is subjected to final testing for a minimum of 16 hours of continuous operation bringing the total test time beyond 24 hours.

This navigation light is in compliance with the following standards:

- COLREG72
- EN14744
- IEC 60945
- USCG (UL1104)

Together with an appropriate Control & Monitoring System, such as Lopolight's own NLC* this navigation light can form part of an IMO MSC 253(83), LY3 and LY4 compliant system.

*) information found here: www.lopolight.com/NlcPanel



Technical specifications**201-010KL;**

Vessel size: <12m (<39.4')

Visibility: >2 nautical miles

Intensity: >5,4cd

Power consumption: 2,5 Watt; Current: 0,21A @12 VDC - 0,1A @24 VDC

201-011KL;

Vessel size: 12m – 20m (39.4' – 65.6')

Visibility: >3 nautical miles

Intensity: >15cd

Power consumption: 5 Watt; Current: 0,41A @12 VDC - 0,2A @24 VDC

Operating voltage: 10 - 32 VDC

Number of LEDs: 2

Light colour: **White**

Operating temperature: -25°C to +55°C

IP rating: **IP68**Mounting: **Horizontal**, see K-Lock sheet for optionsConnection: 1 cable consisting of 2 x 0,5 mm² leads, a screen and insulation.

- Red lead = Power
- Black lead = GND

Certification: **Pending.**

The product is in compliance with the following standard(s):

COLREG72/ EN14744 / IEC 60945 / USCG/ UL1104Dimensions: **See drawing**Weight: **0,8kg**Warranty:

Lopolight products are covered by a 5-year limited warranty.

Warranty conditions can be found on www.lopolight.com/Home/ServiceIncluded in the standard package:

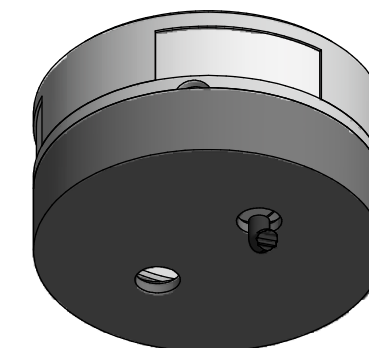
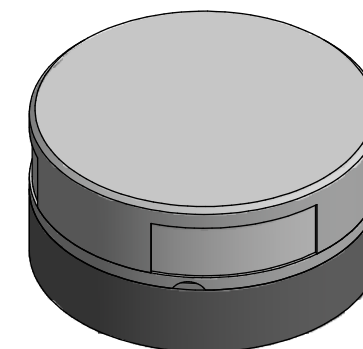
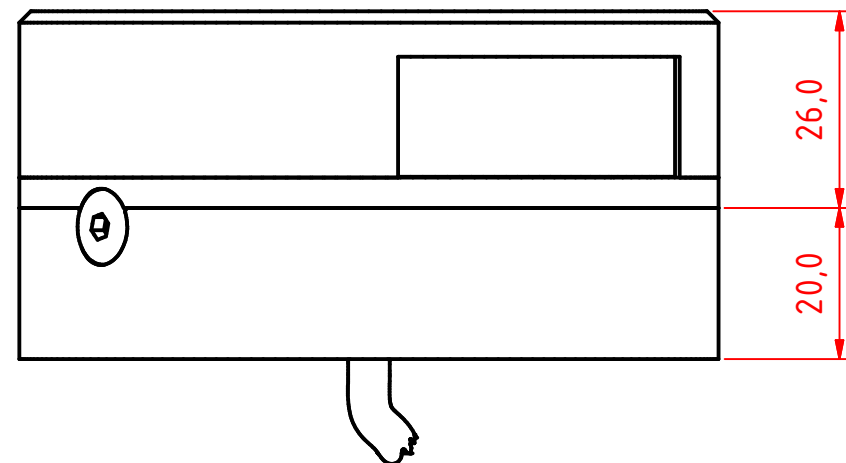
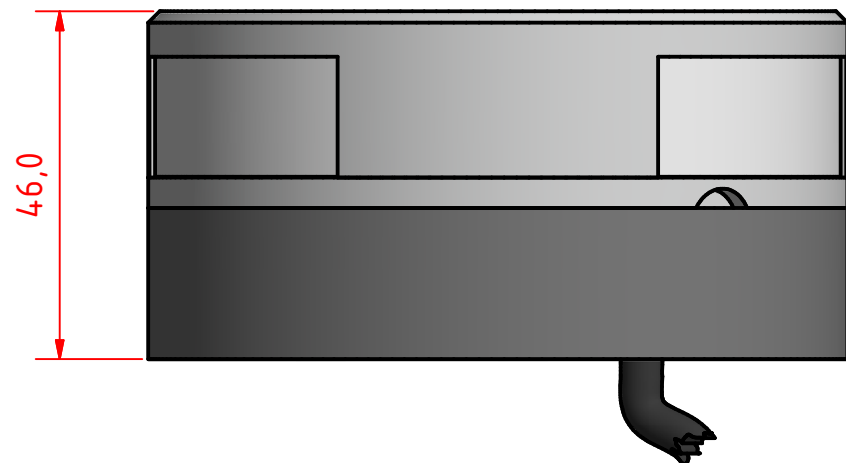
- 1 pc. Navigation light, pre-cabled with 0,75 marine grade cable on HDPE base
- Installation instructions

Ordering information

VISIBILITY	BASE OPTION	PART NUMBER SILVER FINISH	PART NUMBER BLACK FINISH
2 nautical miles	400-038 (drawing G) HDPE base (standard)	201-010KL	201-010KL-B
	400-034 (drawing A - D) CSCD base	201-010KL-CSCD	201-010KL-B-CSCD
	400-035 (drawing E - F) CD base	201-010KL-CD	201-010KL-B-CD
	400-036 (drawing I) Ultra low base	201-010KL-UL	201-010KL-B-UL
3 nautical miles	400-038 (drawing G) HDPE base (standard)	201-011KL	201-011KL-B
	400-034 (drawing A - D) CSCD base	201-011KL-CSCD	201-011KL-B-CSCD
	400-035 (drawing E- F) CD base	201-011KL-CD	201-011KL-B-CD
	400-036 (drawing I) Ultra low base	201-011KL-UL	201-011KL-B-UL

A B C D E F G H I J

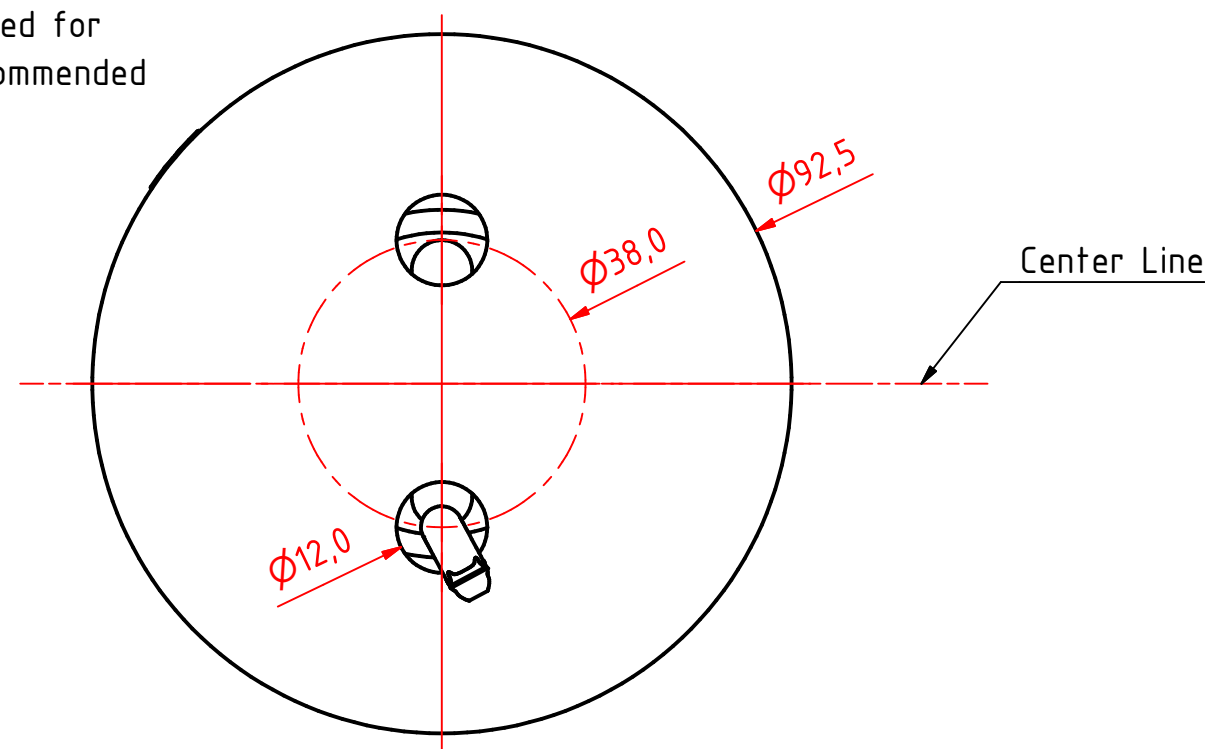
1



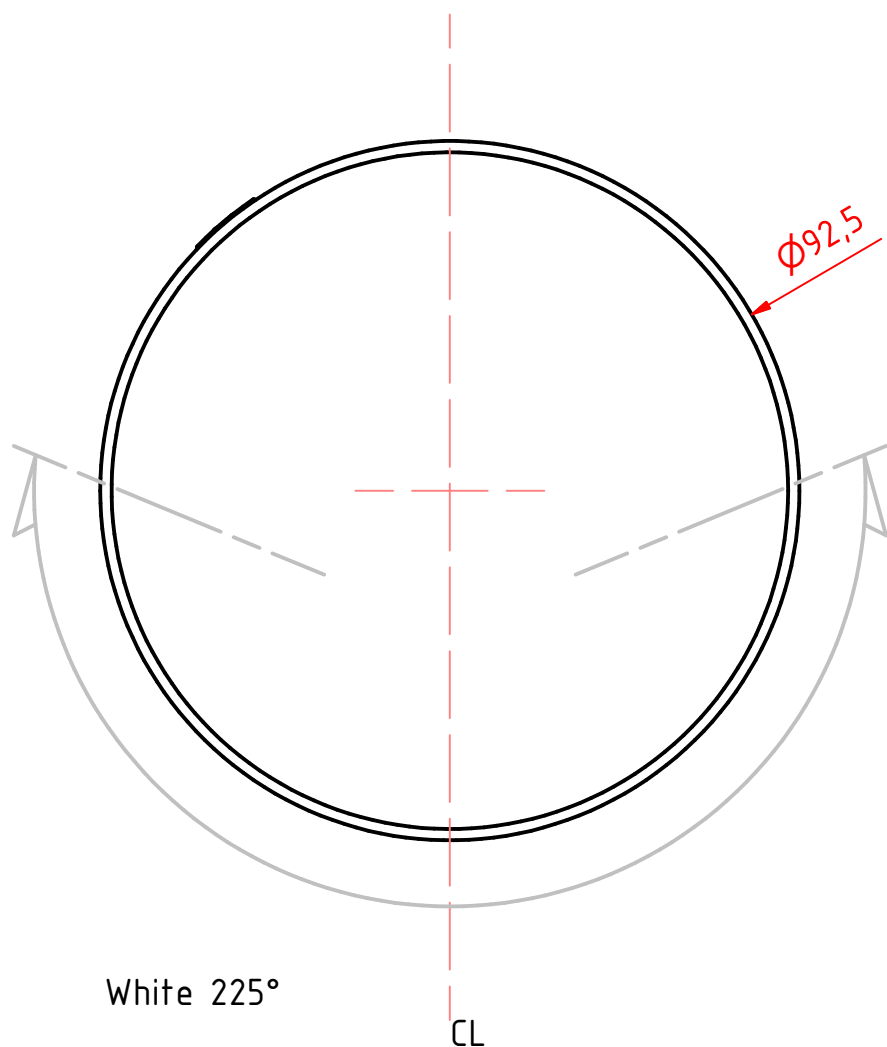
Note:
The PE Plastic base is intended for fitting on site and can be either drilled for mounting screws from above. 6mm screws with nuts and washers are recommended for secure mounting.

3

4



5



6

7

201-010KL 2nm masthead HM, on a
400-038 PE std base

DRAWING NO.: 201-010GA	REV. NO.: 0	SIZE: A3	DRAWN BY: Sergio
SCALE: 1:1	TOLERANCES: DS/ISO 2768-f	REVIEWED BY: PHC	CREATION DATE: 24-04-2018

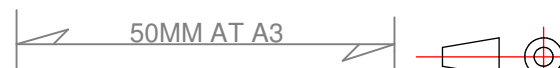
MATERIAL DESCRIPTION:
EN6082, Acrylic, PE (20µ) Silver anodized according to EN ISO 7599
(50µ) Black anodized according to MIL-A 8625F

This Drawing, and the information within, is the property of Lopolight ApS and may not be used in any form without express permission there from. Lopolight reserves the right to change this drawing and assumes no liability for the information communicated herein. Use of dimensions and other information in this drawing is at the users own risk.



Lopolight ApS
Bakkegaardsvej 513
DK-3050, Humlebaek
Denmark
www.lopolight.com

Tel:(+45) 32 48 50 30 Fax:(+45) 32 48 50 32
info@lopolight.com



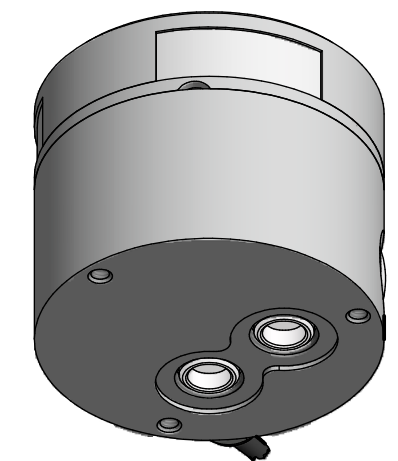
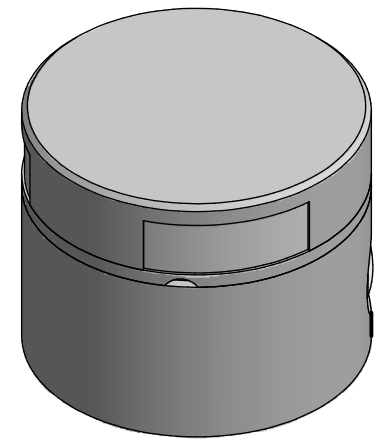
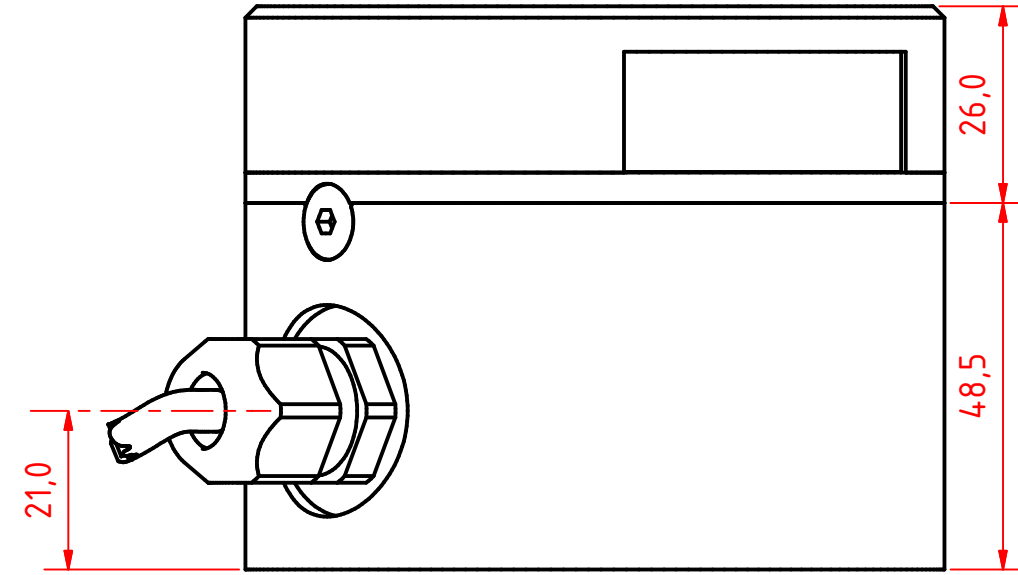
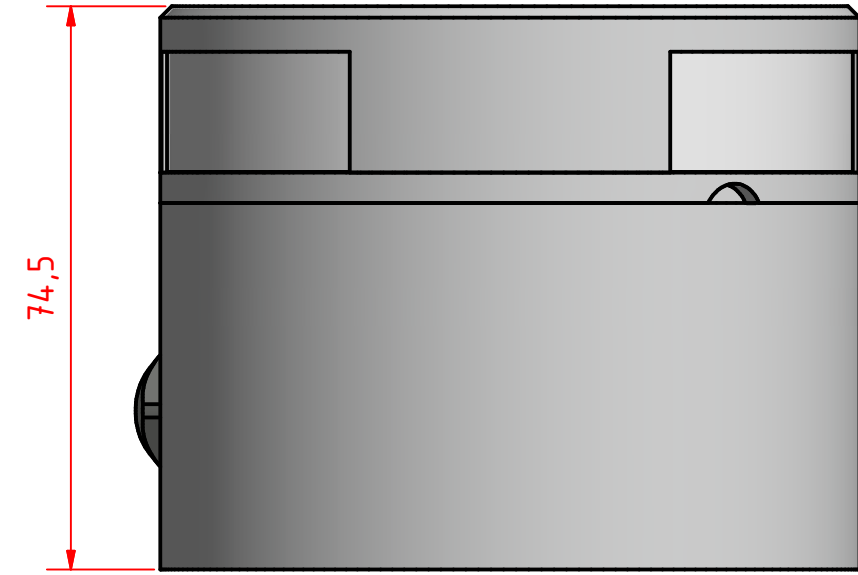
A B C D E F G H I J

8

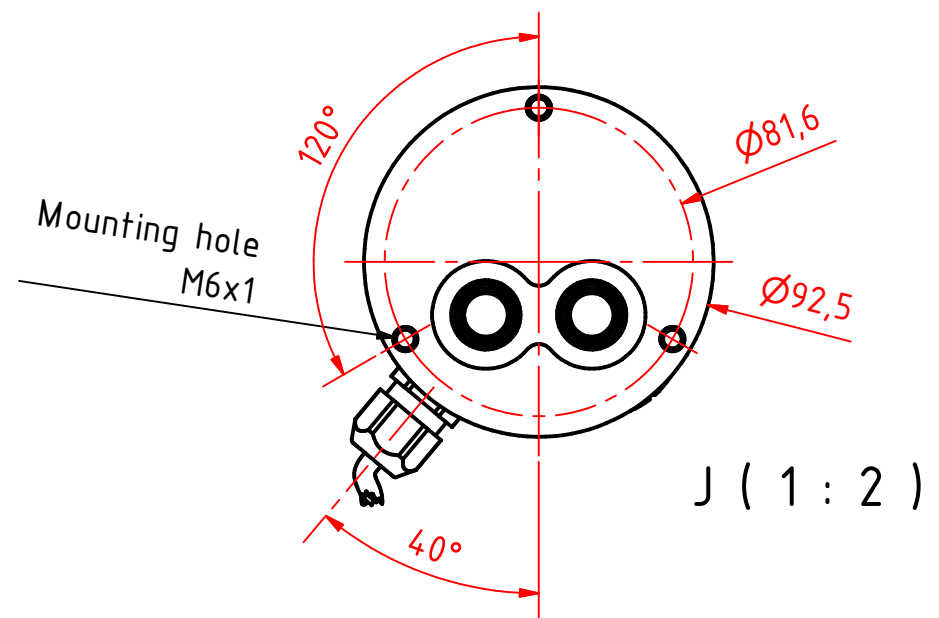
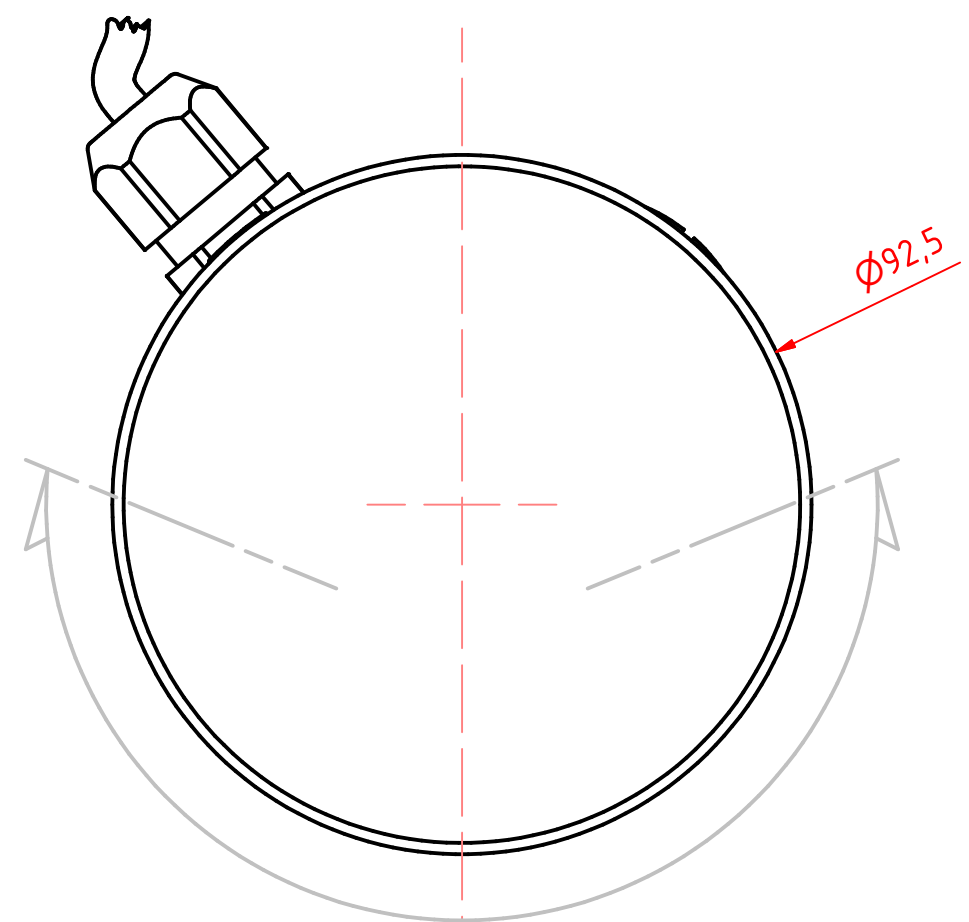
8

A B C D E F G H J

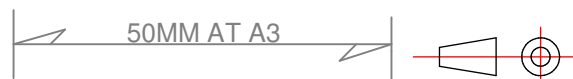
1 2 3 4 5 6 7 8



J ↑



White 225°



201-010KL 2nm masthead HM, on a 400-034 Promount, Cable Side

DRAWING NO.: 201-010AA	REV. NO.: 0	SIZE: A3	DRAWN BY: Sergio
SCALE: 1:1	TOLERANCES: DS/ISO 2768-f	REVIEWED BY:	CREATION DATE: 24-04-2018

MATERIAL DESCRIPTION:
EN6082, Acrylic

(20µ) Silver anodized according to EN ISO 7599
(50µ) Black anodized according to MIL-A 8625F
This Drawing, and the information within, is the property of Lopolight ApS and may not be used in any form without express permission there from. Lopolight reserves the right to change this drawing and assumes no liability for the information communicated herein. Use of dimensions and other information in this drawing is at the users own risk.

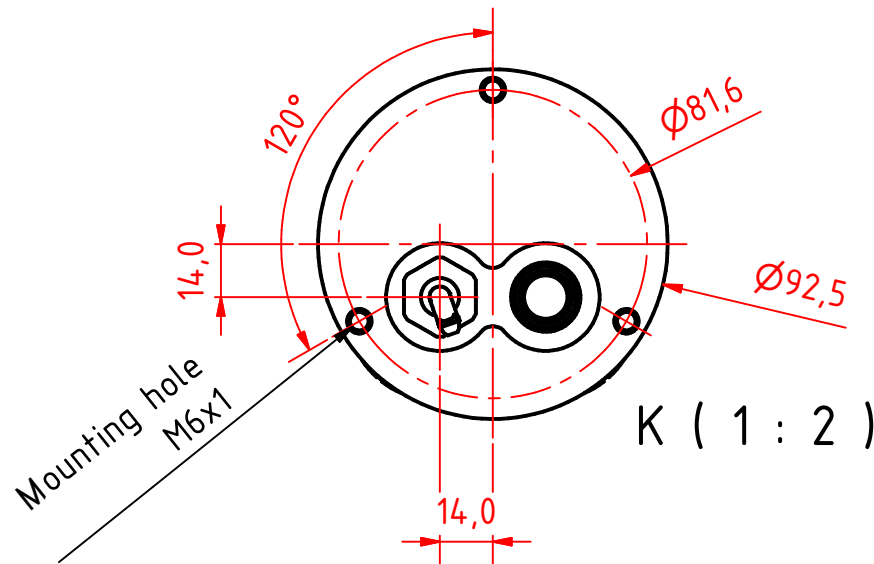
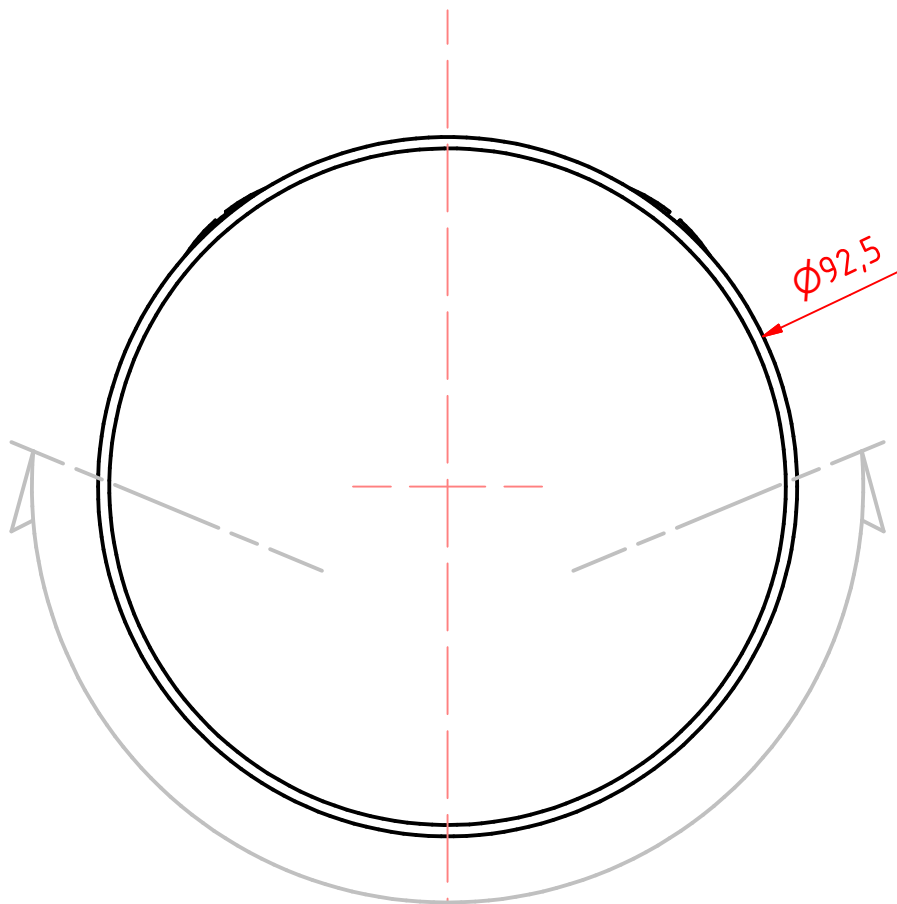
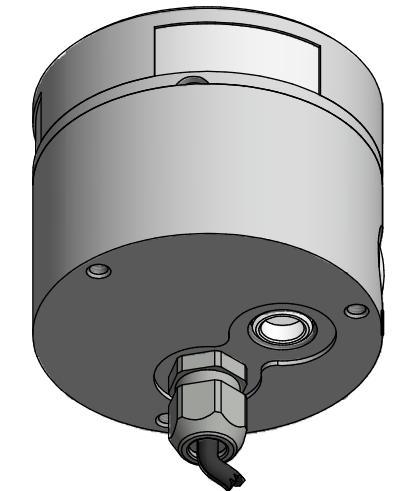
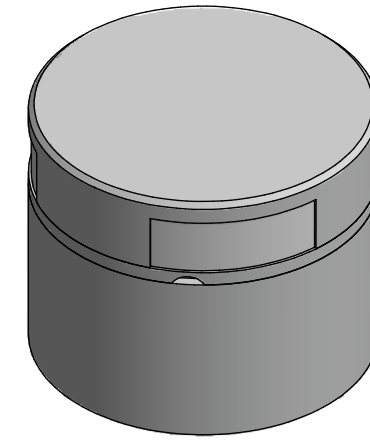
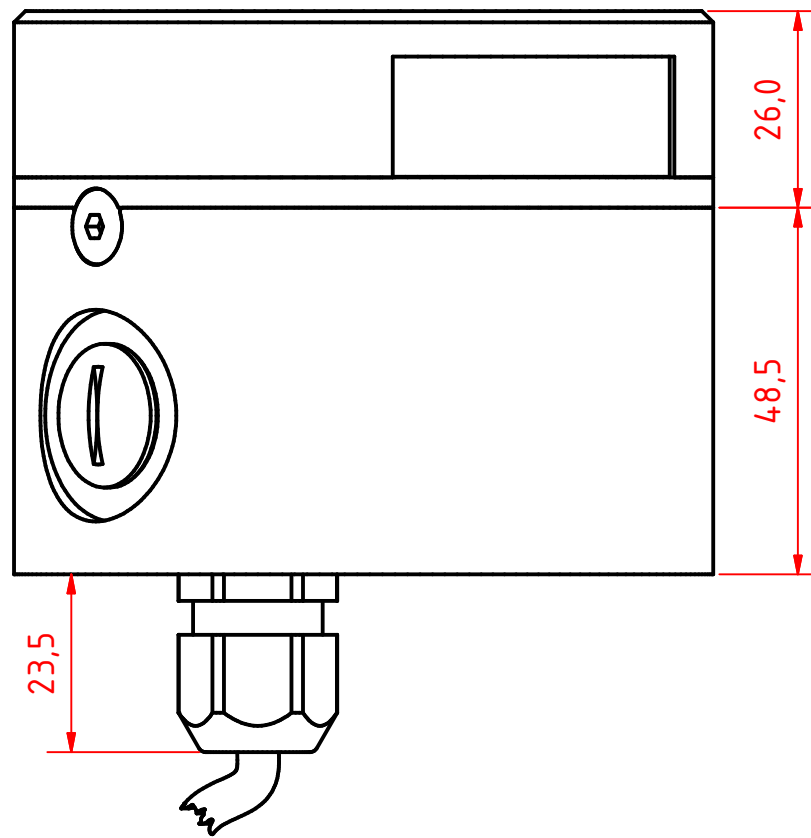
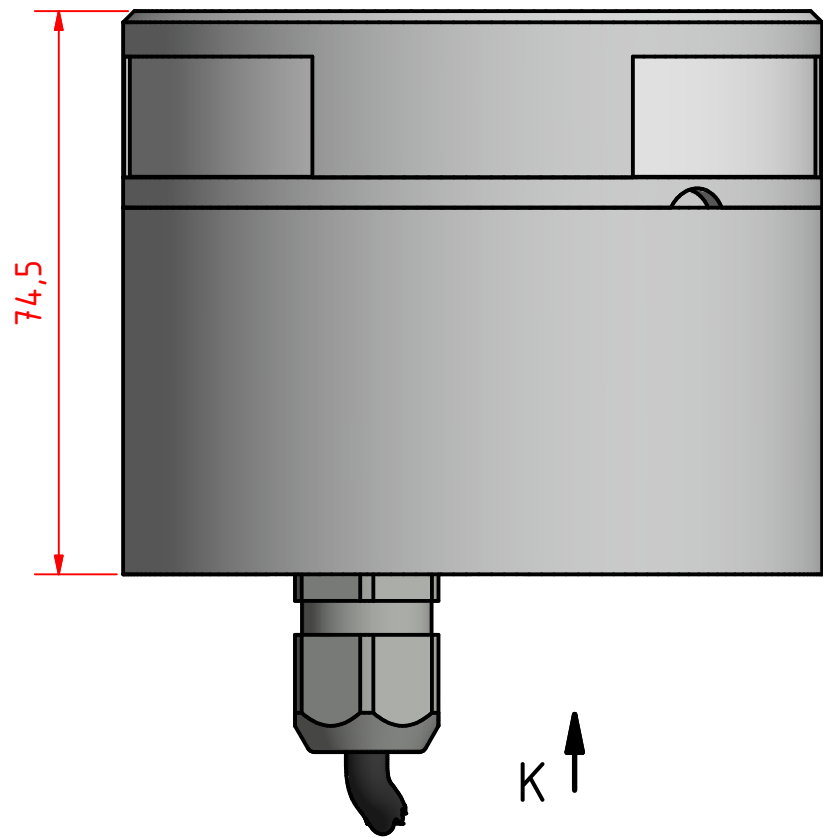


Lopolight ApS
Bakkegaardsvej 513
DK-3050, Humlebaek
Denmark
www.lopolight.com

Tel:(+45) 32 48 50 30 Fax:(+45) 32 48 50 32
info@lopolight.com

A B C D E F G H J

8



201-010KL 2nm masthead HM, on a 400-034 Promount, Cable Down

DRAWING NO.: 201-010BA	REV. NO.: 0	SIZE: A3	DRAWN BY: Sergio
SCALE: 1:1	TOLERANCES: DS/ISO 2768-f	REVIEWED BY:	CREATION DATE: 24-04-2018

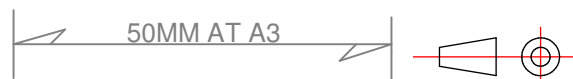
MATERIAL DESCRIPTION:
EN6082, Acrylic (20µ) Silver anodized according to EN ISO 7599 (50µ) Black anodized according to MIL-A 8625F

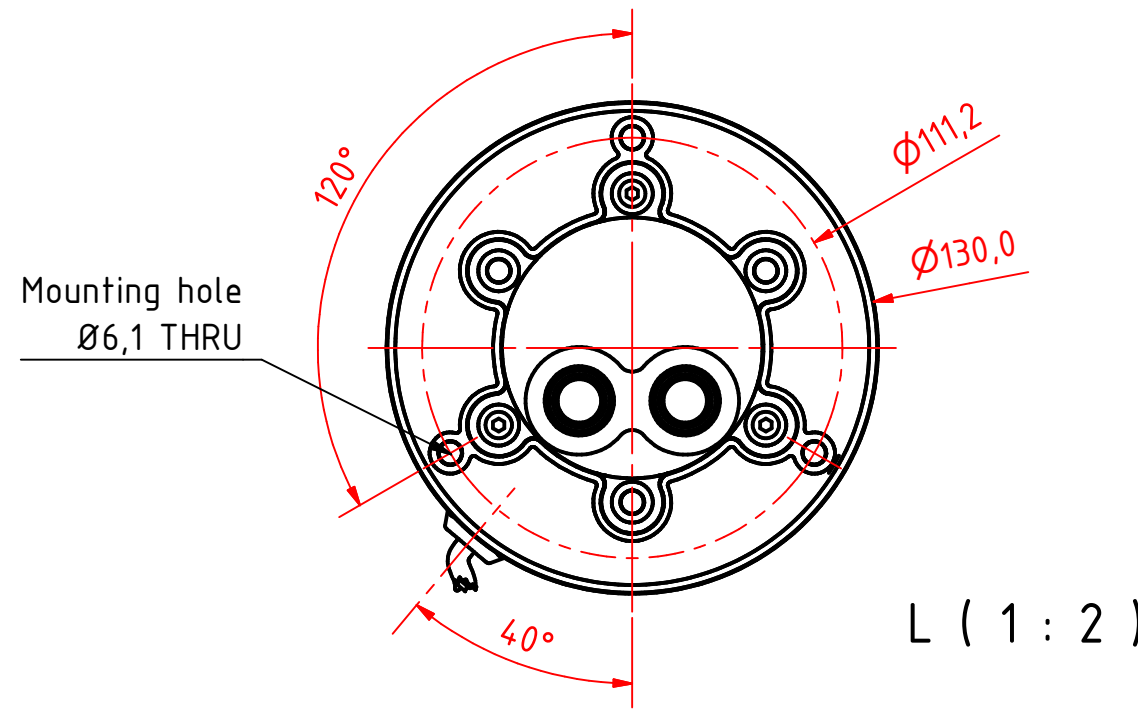
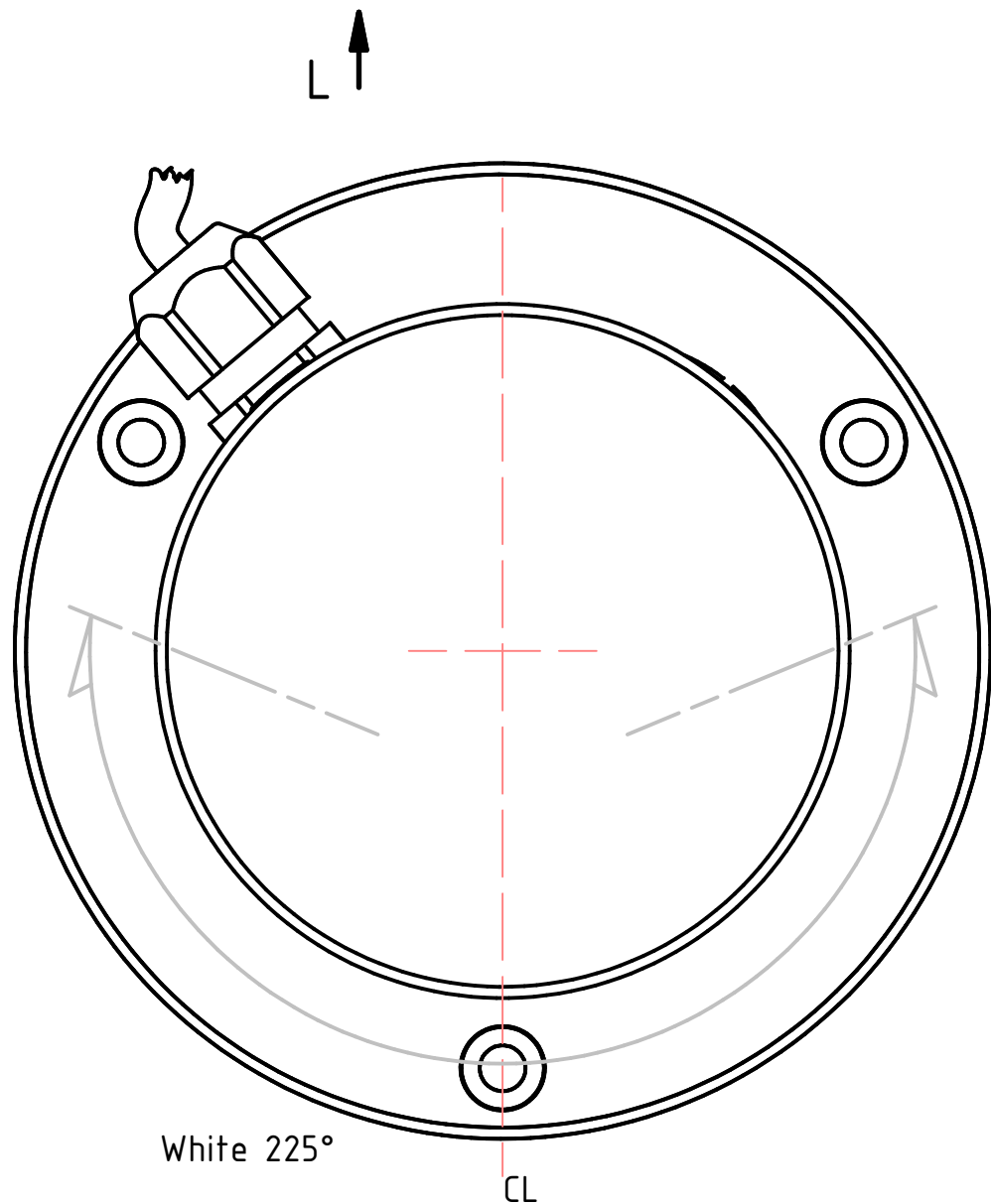
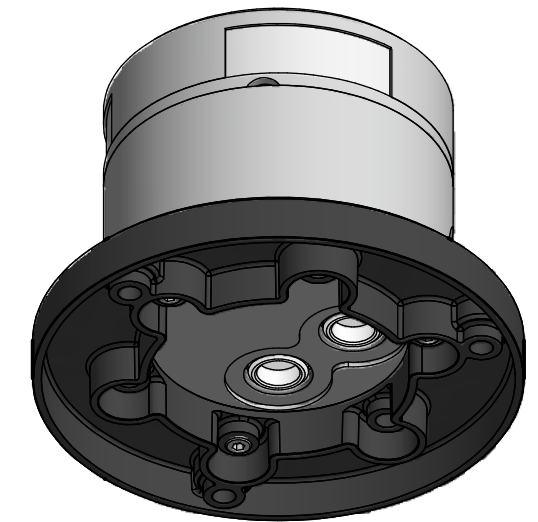
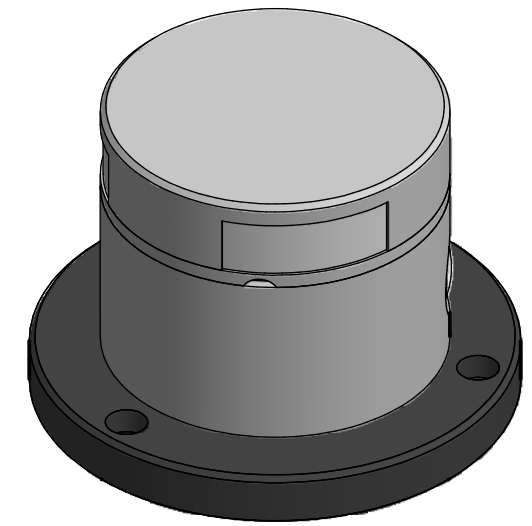
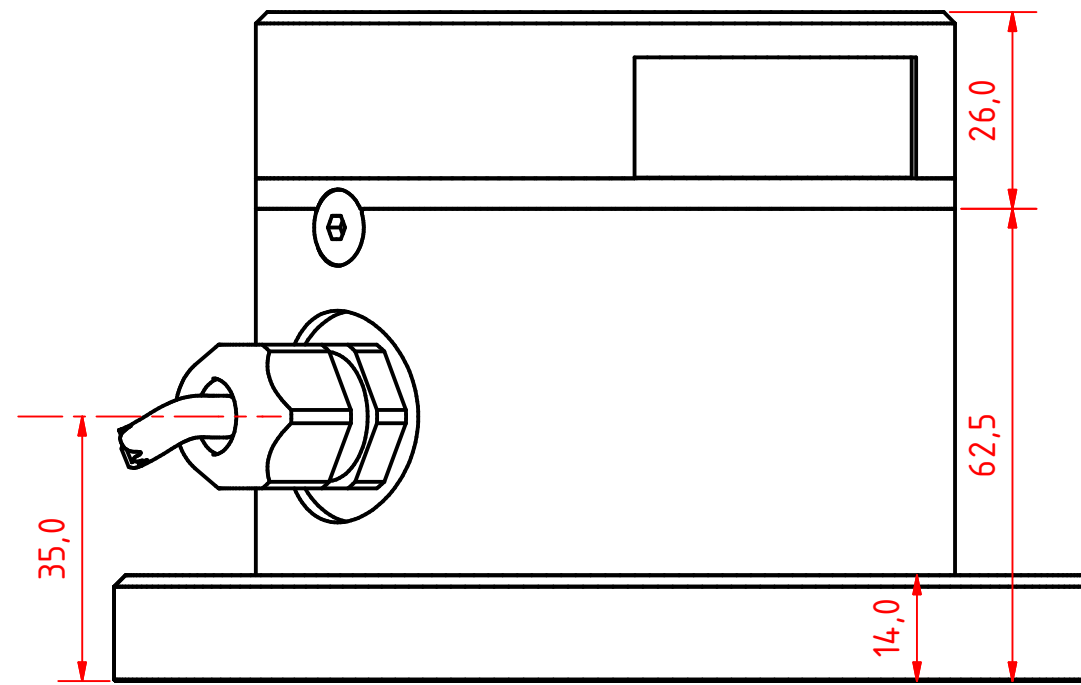
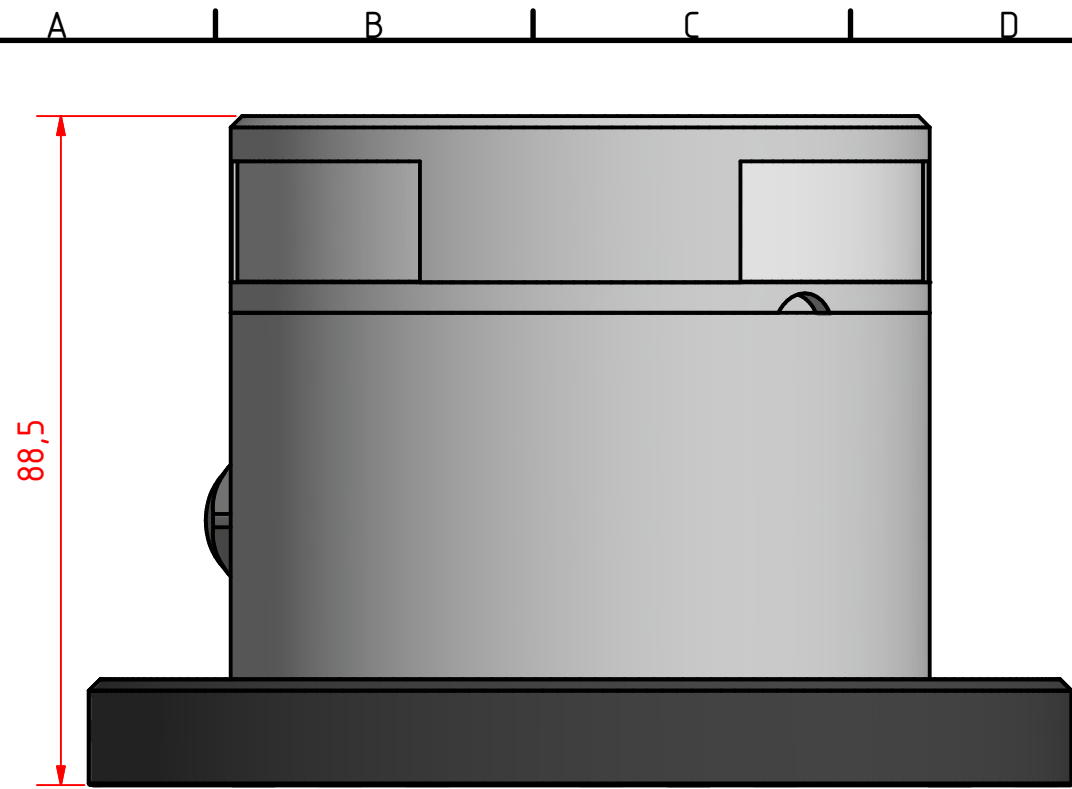
This Drawing, and the information within, is the property of Lopolight ApS and may not be used in any form without express permission there from. Lopolight reserves the right to change this drawing and assumes no liability for the information communicated herein. Use of dimensions and other information in this drawing is at the users own risk.



Lopolight ApS
Bakkegaardsvej 513
DK-3050, Humlebaek
Denmark
www.lopolight.com

Tel:(+45) 32 48 50 30 Fax:(+45) 32 48 50 32
info@lopolight.com





201-010KL 2nm masthead HM, on a
400-034 Promount base and 400-404 PE
base plate, Cable Side

DRAWING NO.:	REV. NO.:	SIZE:	DRAWN BY:
201-010CA	0	A3	Sergio
SCALE:	TOLERANCES:	REVIEWED BY:	CREATION DATE:
1:1	DS/ISO 2768-f		24-04-2018

MATERIAL DESCRIPTION:
EN6082, Acrylic, PE (20µ) Silver anodized according to EN ISO 7599
(50µ) Black anodized according to MIL-A 8625F

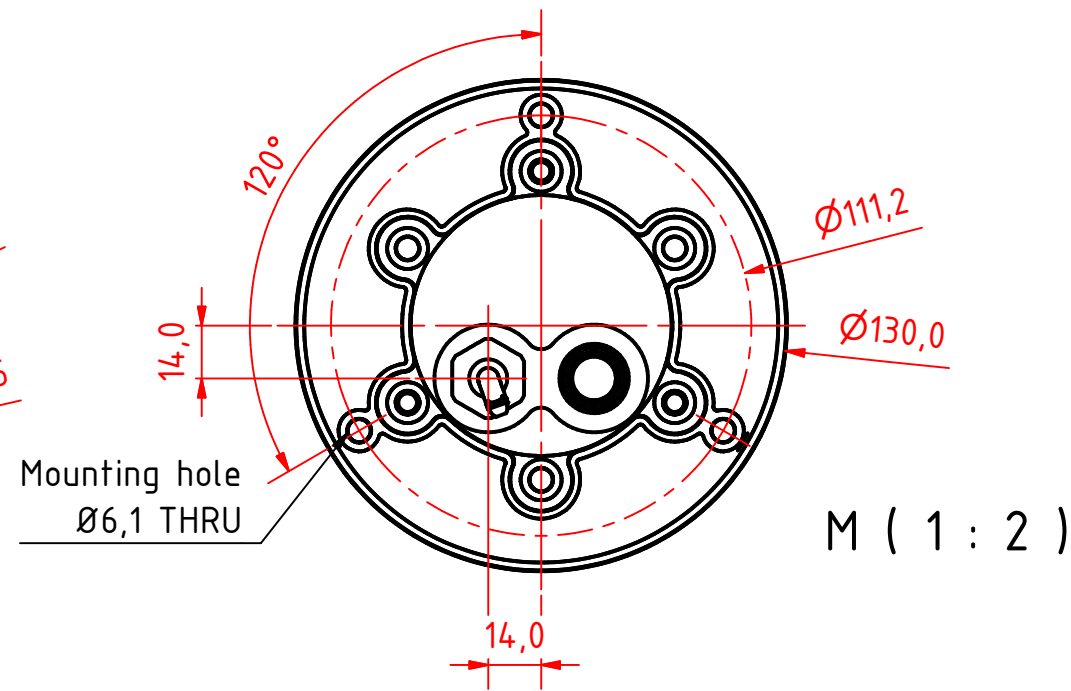
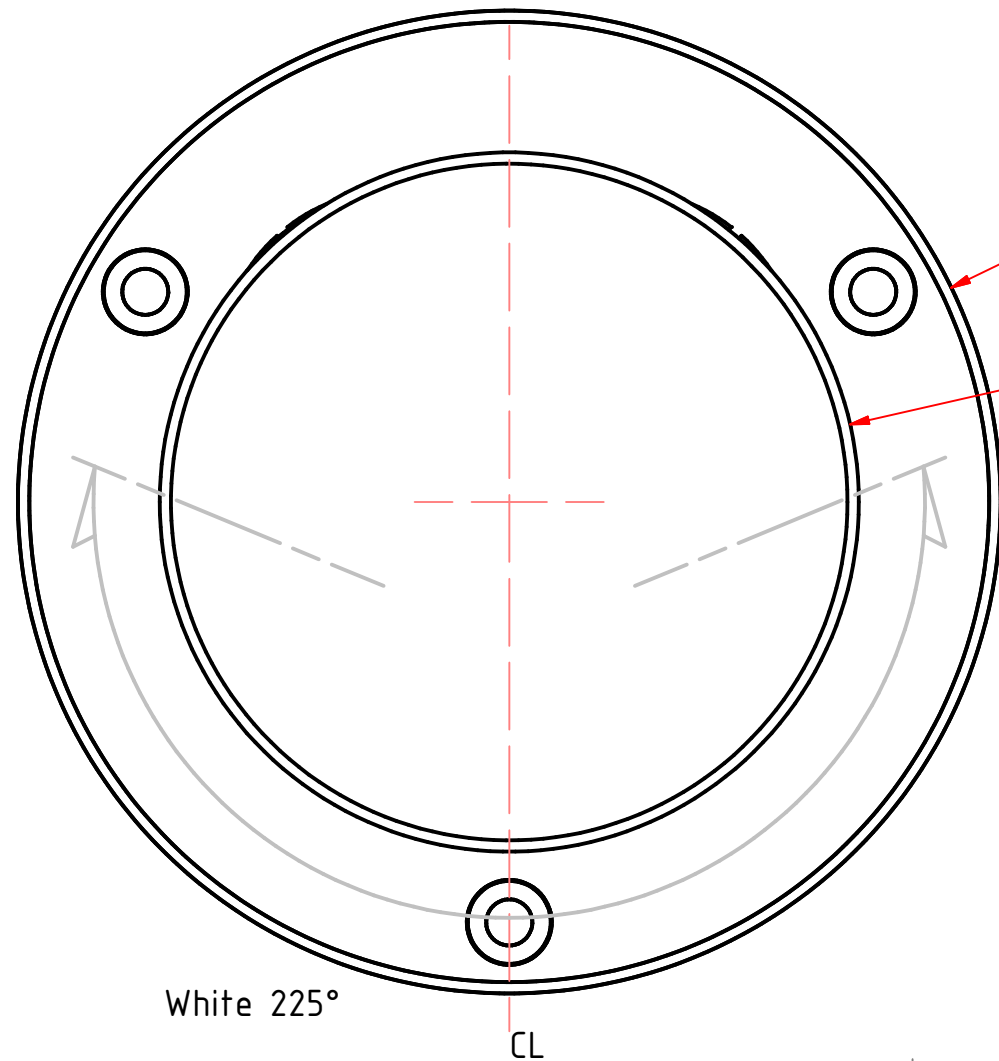
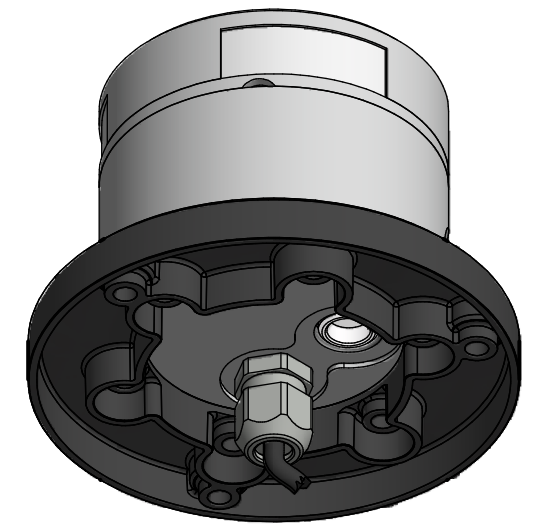
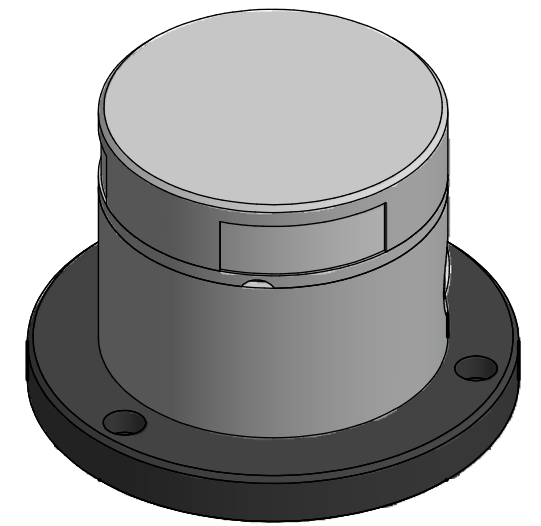
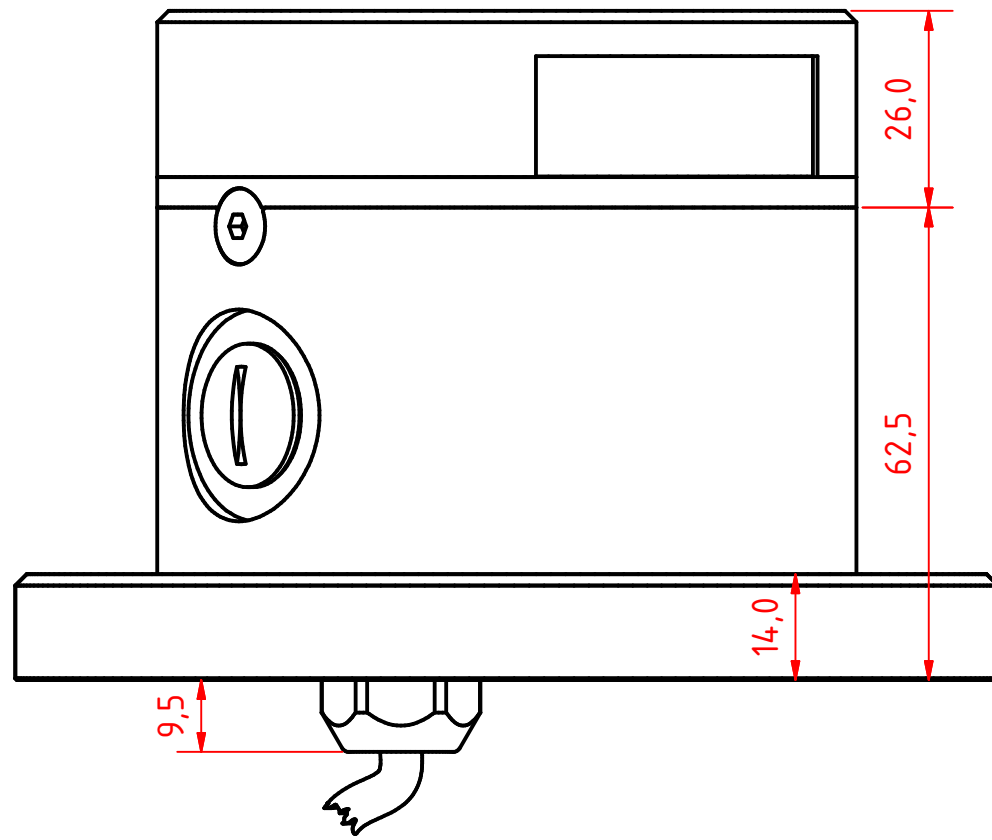
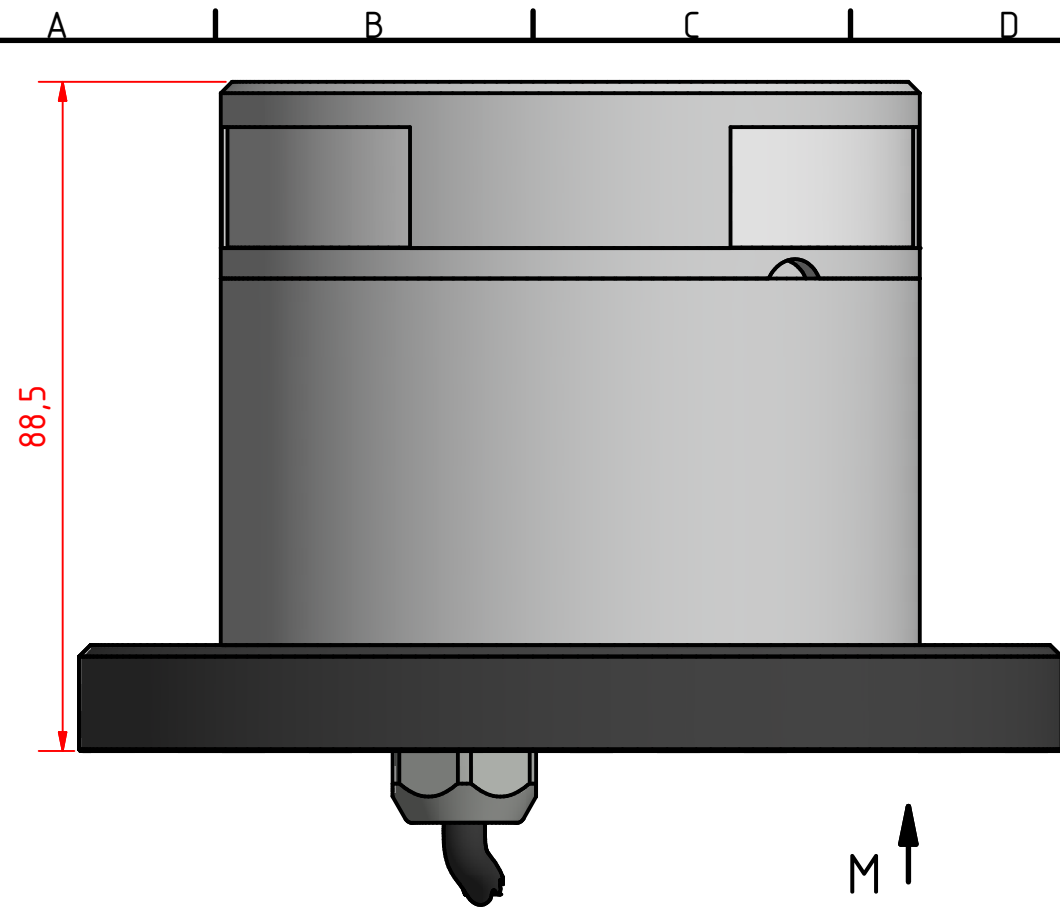
This Drawing, and the information within, is the property of Lopolight ApS and may not be used in any form without express permission there from. Lopolight reserves the right to change this drawing and assumes no liability for the information communicated herein. Use of dimensions and other information in this drawing is at the users own risk.



Lopolight ApS www.lopolight.com
Bakkegaardsvej 513
DK-3050, Humlebaek
Denmark

Tel:(+45) 32 48 50 30 Fax:(+45) 32 48 50 32
info@lopolight.com





201-010KL 2nm masthead HM, on a
400-034 Promount base and 400-404 PE
base plate, Cable Down

DRAWING NO.:	REV. NO.:	SIZE:	DRAWN BY:
201-010DA	0	A3	Sergio
SCALE:	TOLERANCES:	REVIEWED BY:	CREATION DATE:
1:1	DS/ISO 2768-f		24-04-2018

MATERIAL DESCRIPTION:
EN6082, Acrylic

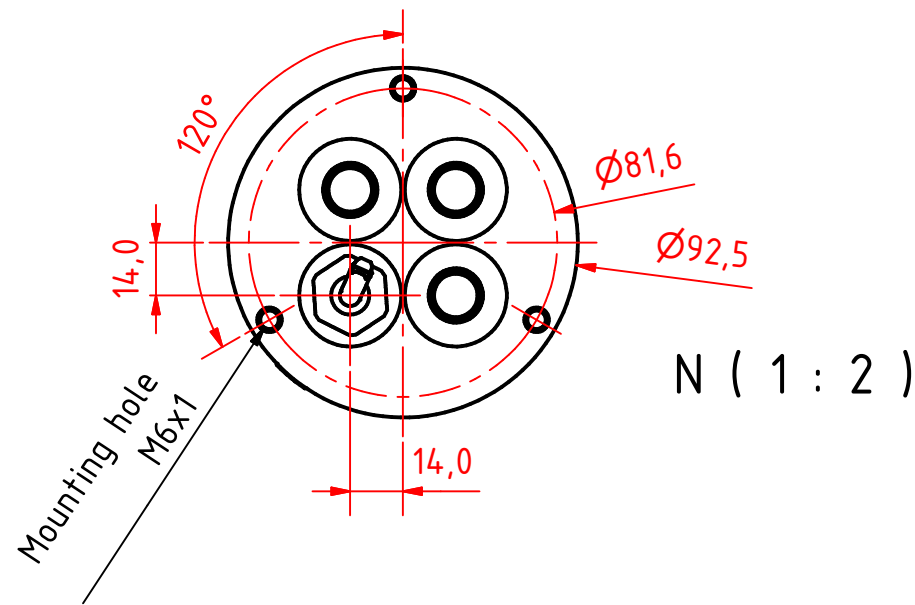
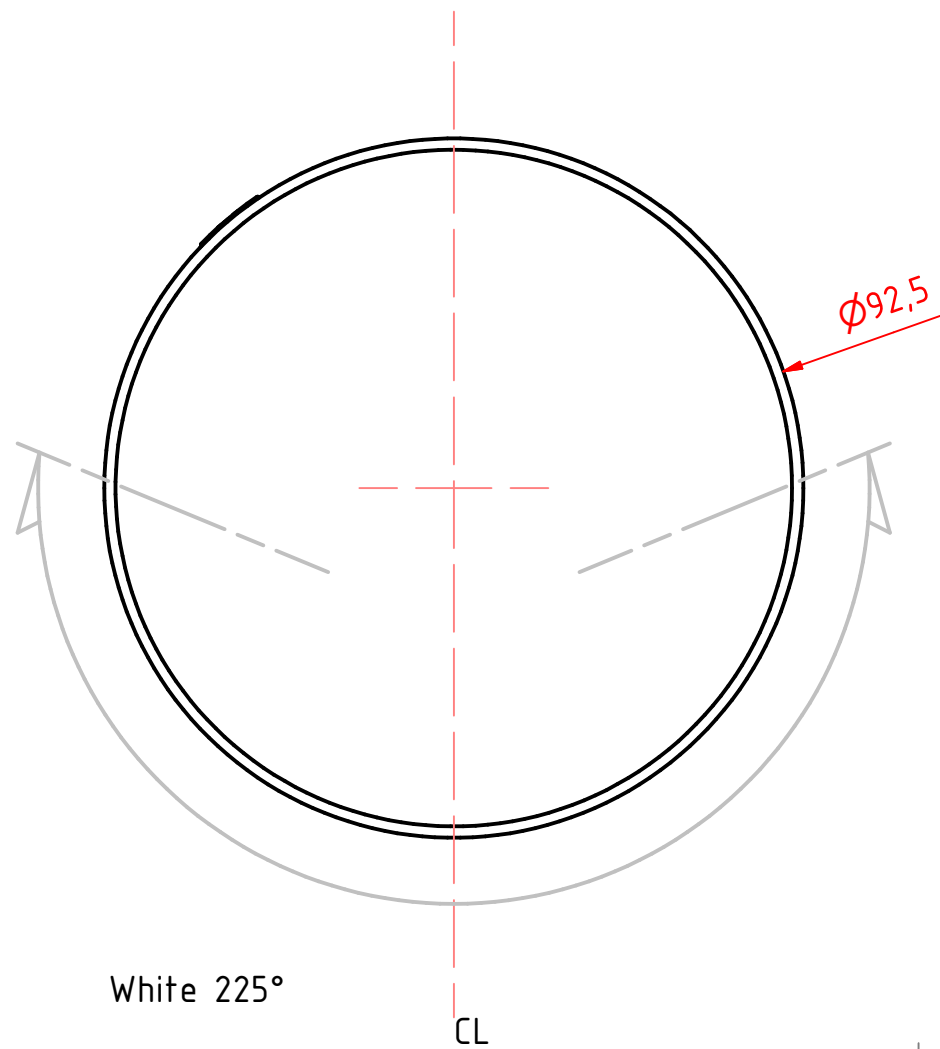
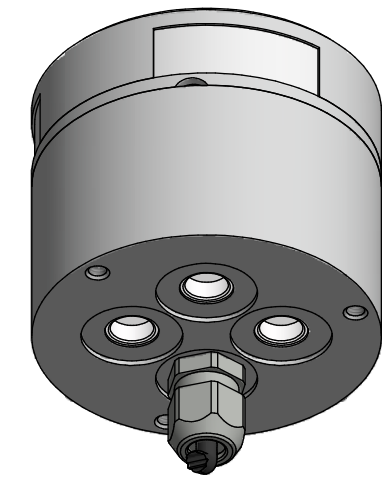
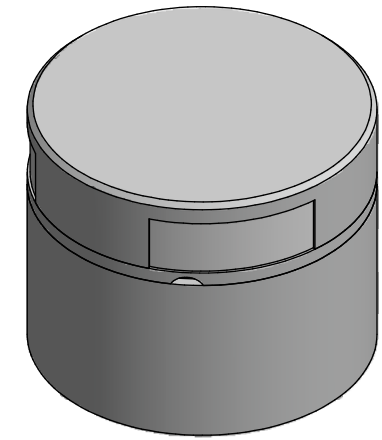
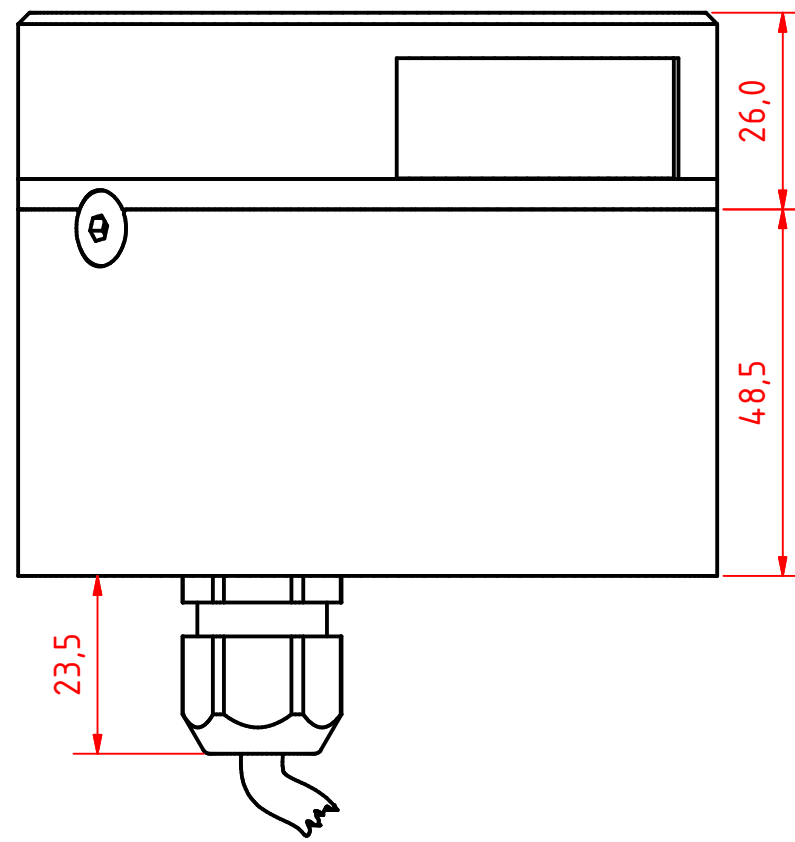
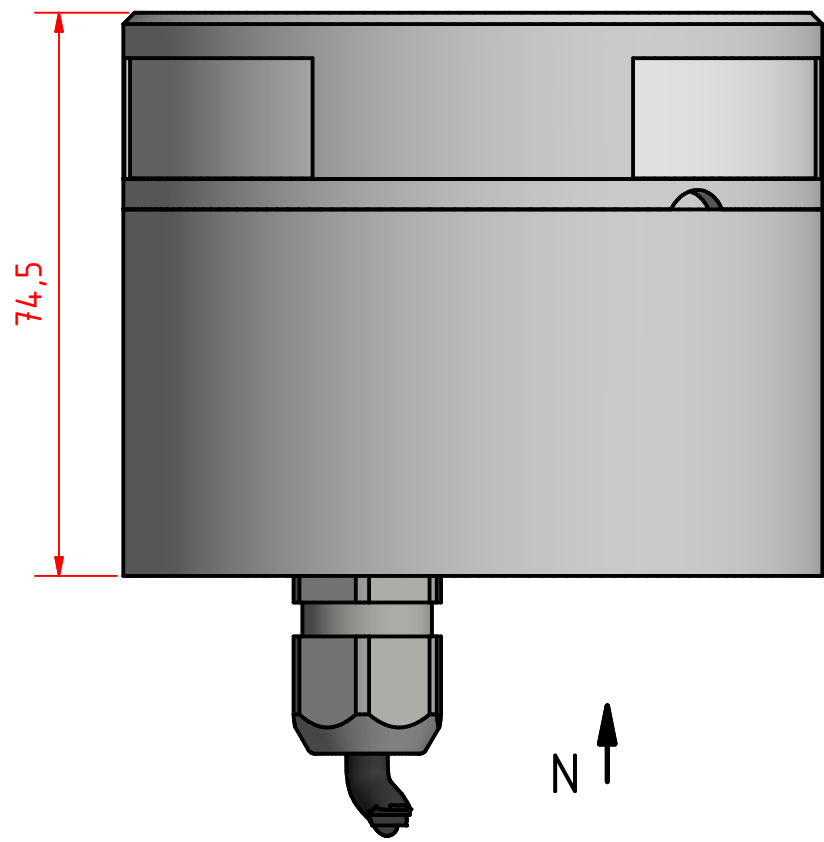
(20µ) Silver anodized according to EN ISO 7599
(50µ) Black anodized according to MIL-A 8625F
This Drawing, and the information within, is the property of Lopolight ApS and may not be used in any form without express permission there from. Lopolight reserves the right to change this drawing and assumes no liability for the information communicated herein. Use of dimensions and other information in this drawing is at the users own risk.



Lopolight ApS
Bakkegaardsvej 513
DK-3050, Humlebaek
Denmark
www.lopolight.com

Tel:(+45) 32 48 50 30 Fax:(+45) 32 48 50 32
info@lopolight.com





201-010KL 2nm masthead HM, on a
400-035 Promount base, Cable Down

DRAWING NO.: 201-010EA REV. NO.: 0 SIZE: A3 DRAWN BY: Sergio

SCALE: 1:1 TOLERANCES: DS/ISO 2768-f REVIEWED BY: CREATION DATE: 24-04-2018

MATERIAL DESCRIPTION: EN6082, Acrylic, PE (20µ) Silver anodized according to EN ISO 7599 (50µ) Black anodized according to MIL-A 8625F

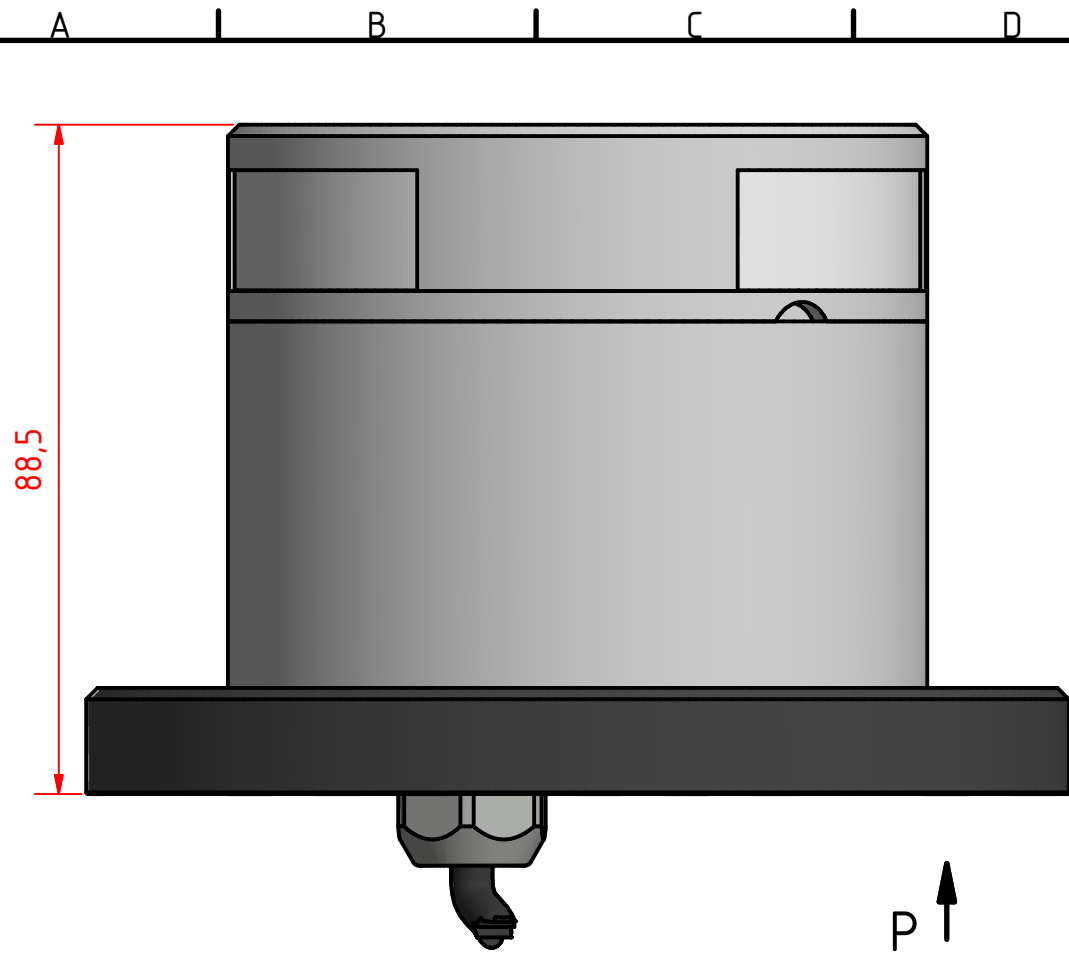
This Drawing, and the information within, is the property of Lopolight ApS and may not be used in any form without express permission there from. Lopolight reserves the right to change this drawing and assumes no liability for the information communicated herein. Use of dimensions and other information in this drawing is at the users own risk.



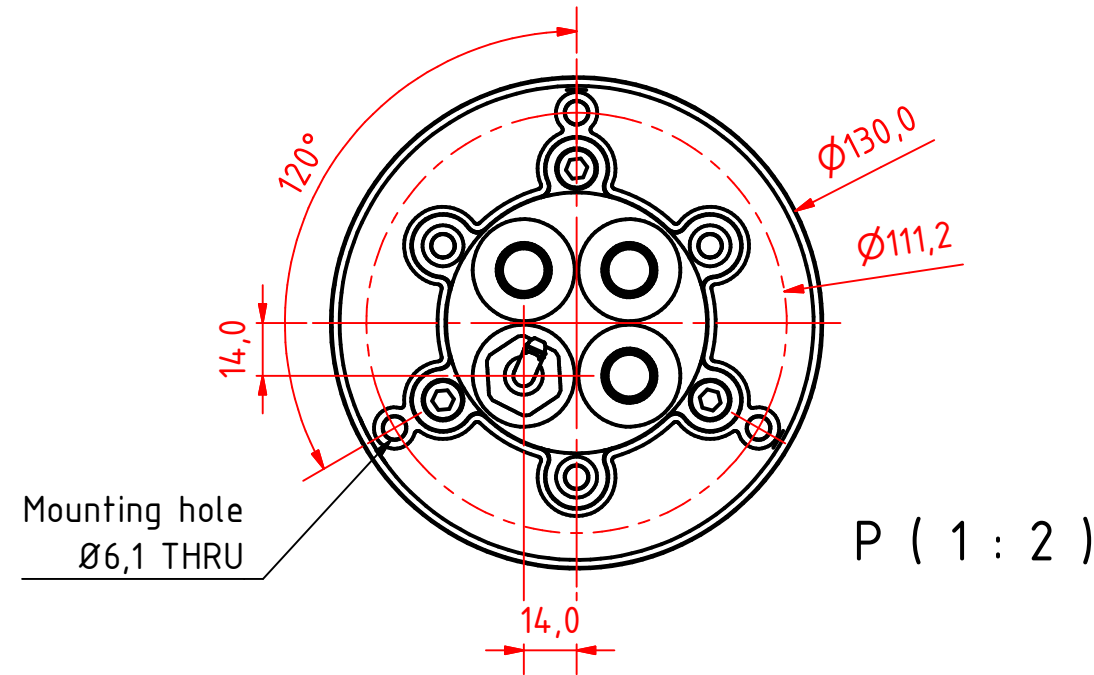
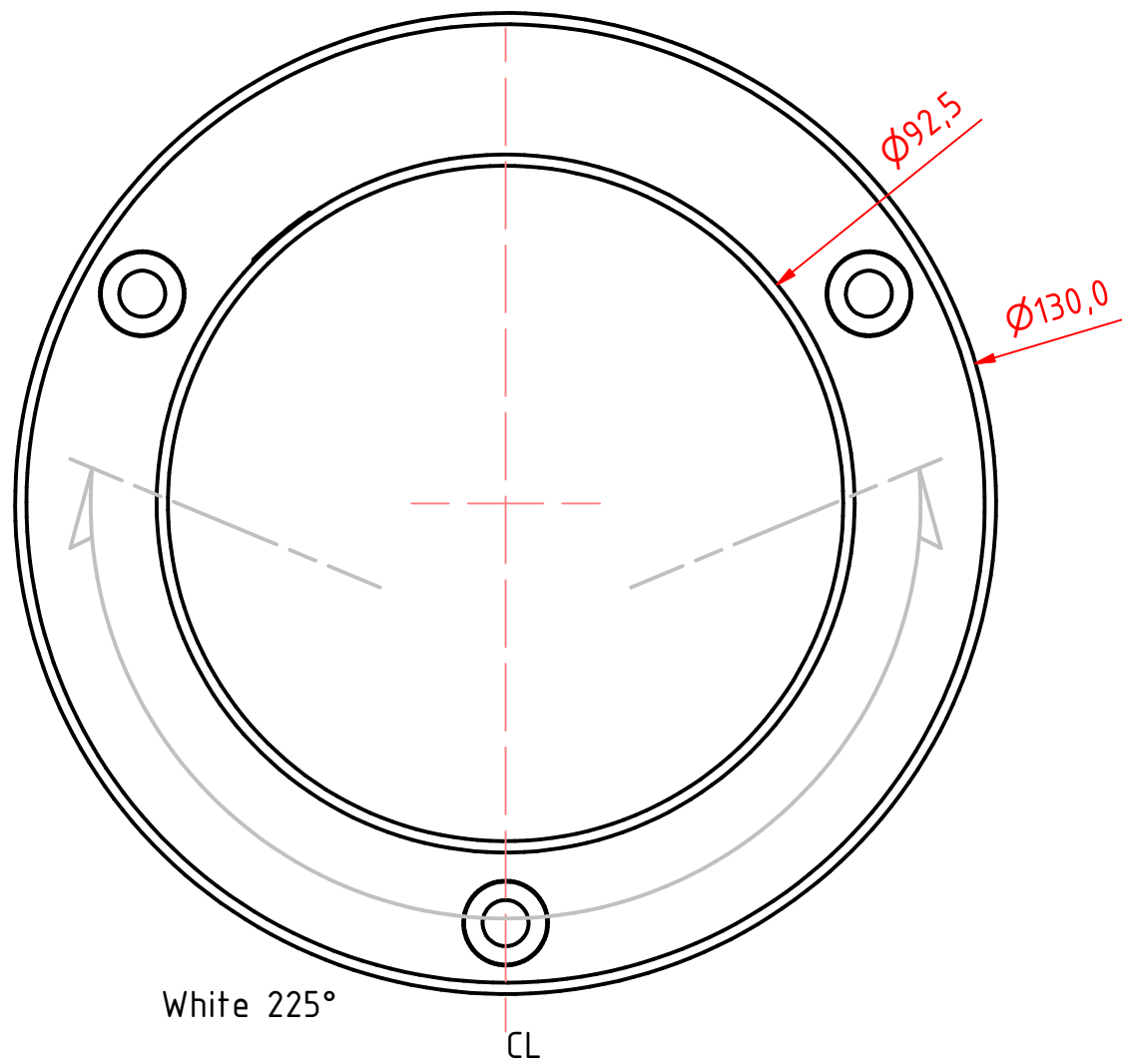
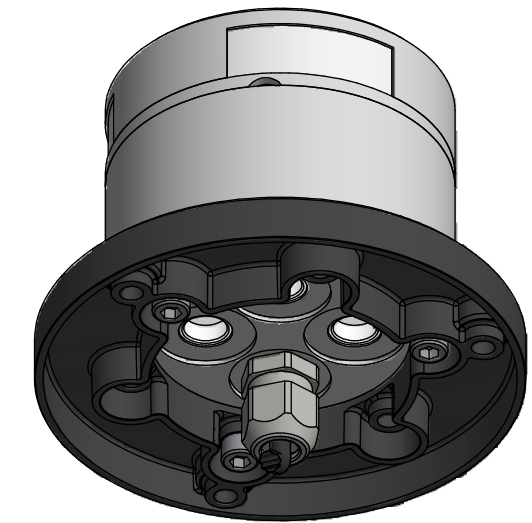
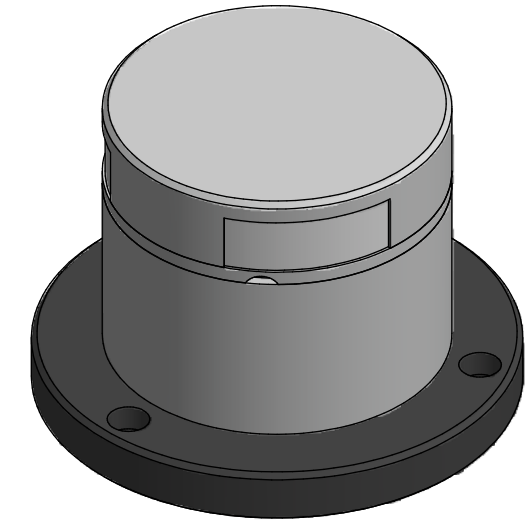
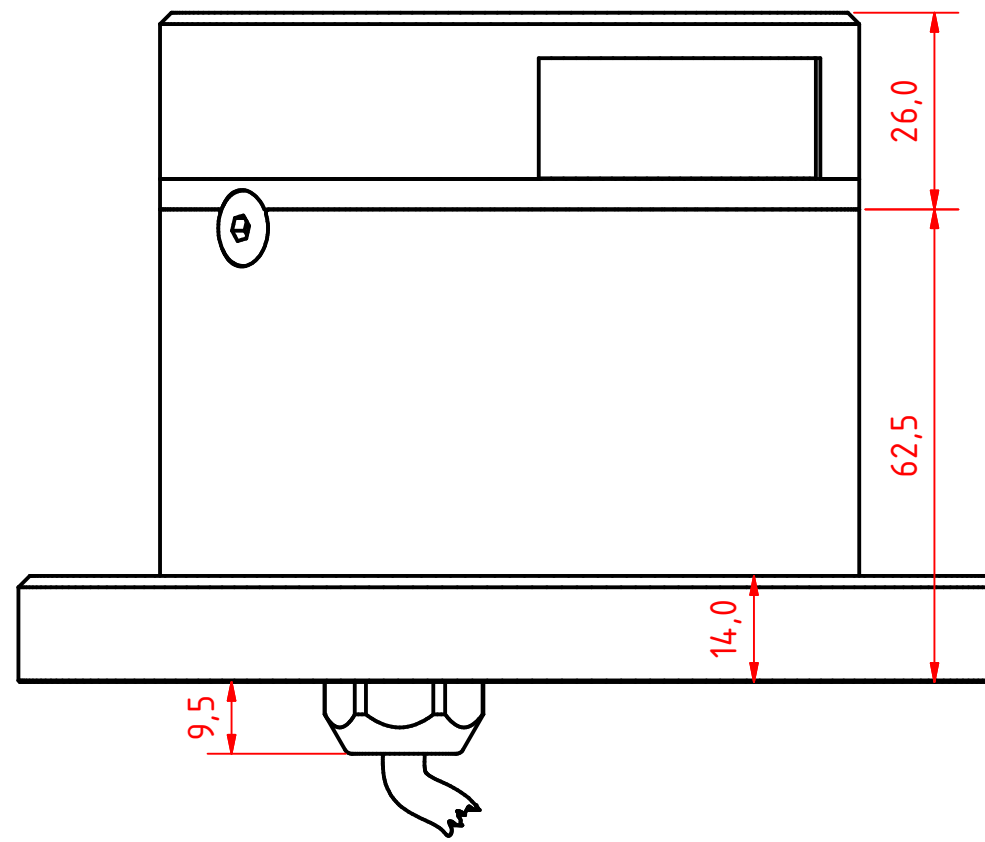
Lopolight ApS
Bakkegaardsvej 513
DK-3050, Humlebaek
Denmark

Tel: (+45) 32 48 50 30 Fax: (+45) 32 48 50 32
info@lopolight.com





P ↑



Mounting hole
Ø6,1 THRU

P (1 : 2)

White 225°

CL



201-010KL 2nm masthead HM, on a 400-035 Promount base and 400-404 PE base plate, Cable Down			
DRAWING NO.: 201-010FA	REV. NO.: 0	SIZE: A3	DRAWN BY: Sergio
SCALE: 1:1	TOLERANCES: DS/ISO 2768-f	REVIEWED BY:	CREATION DATE: 24-04-2018
MATERIAL DESCRIPTION: EN6082, Acrylic			
<small>(20µ) Silver anodized according to EN ISO 7599 (50µ) Black anodized according to MIL-A 8625F</small>			
<small>This Drawing, and the information within, is the property of Lopolight ApS and may not be used in any form without express permission there from. Lopolight reserves the right to change this drawing and assumes no liability for the information communicated herein. Use of dimensions and other information in this drawing is at the users own risk.</small>			



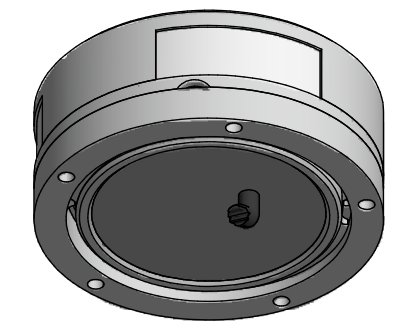
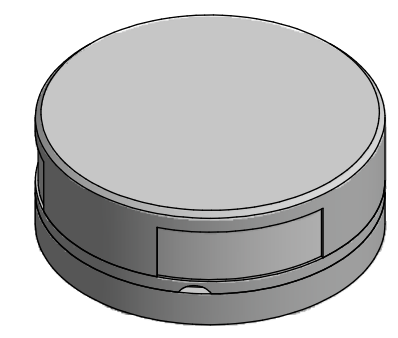
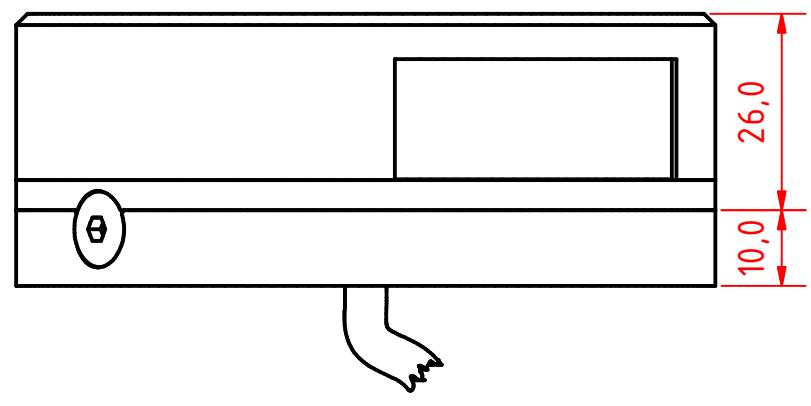
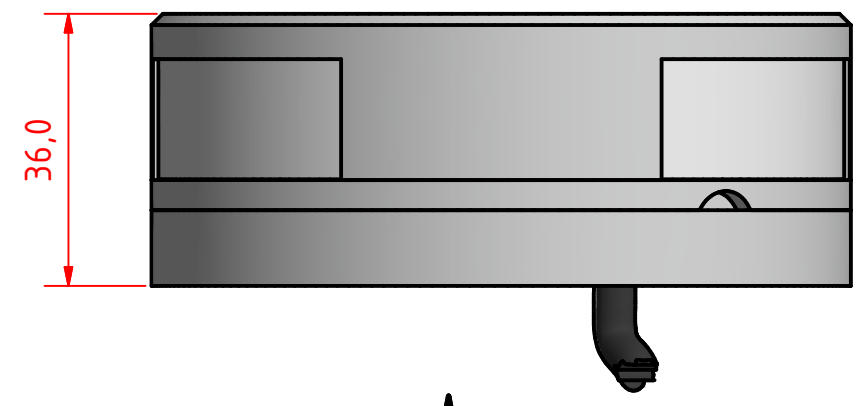
Lopolight ApS
Bakkegaardsvej 513
DK-3050, Humlebaek
Denmark

www.lopolight.com

Tel:(+45) 32 48 50 30 Fax:(+45) 32 48 50 32
info@lopolight.com

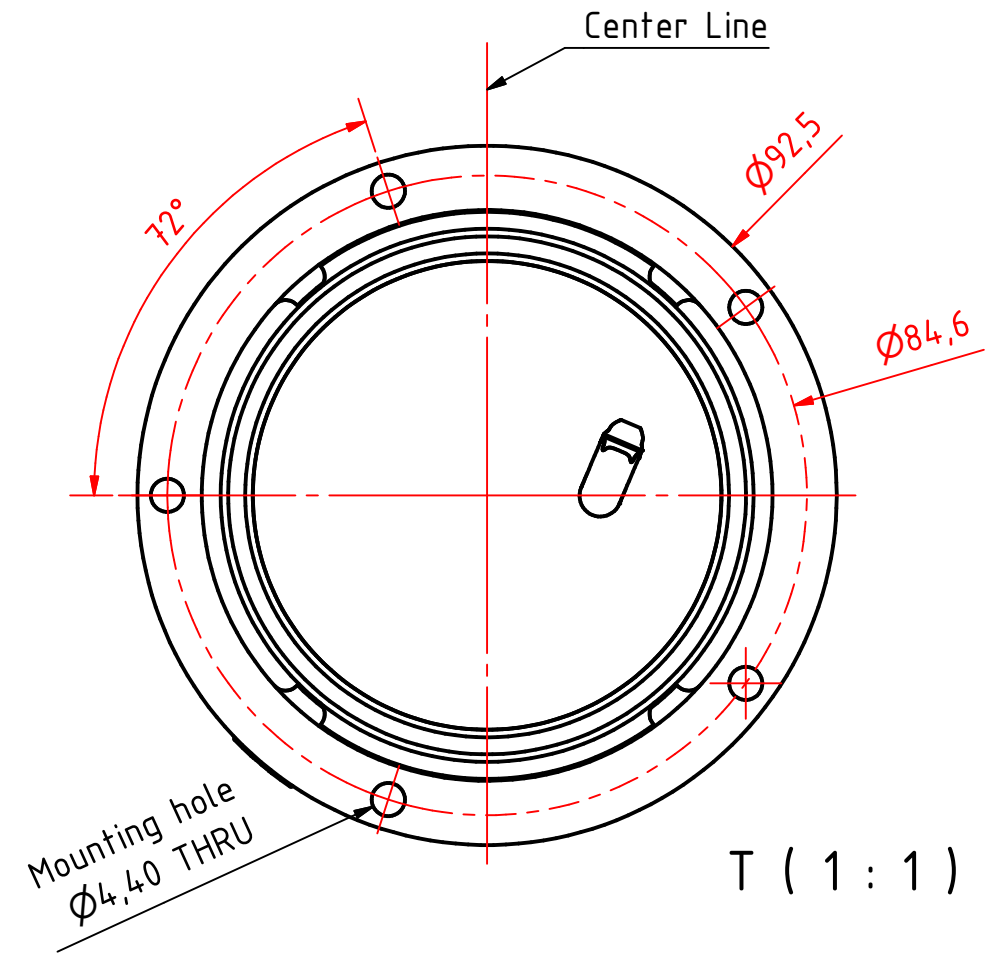
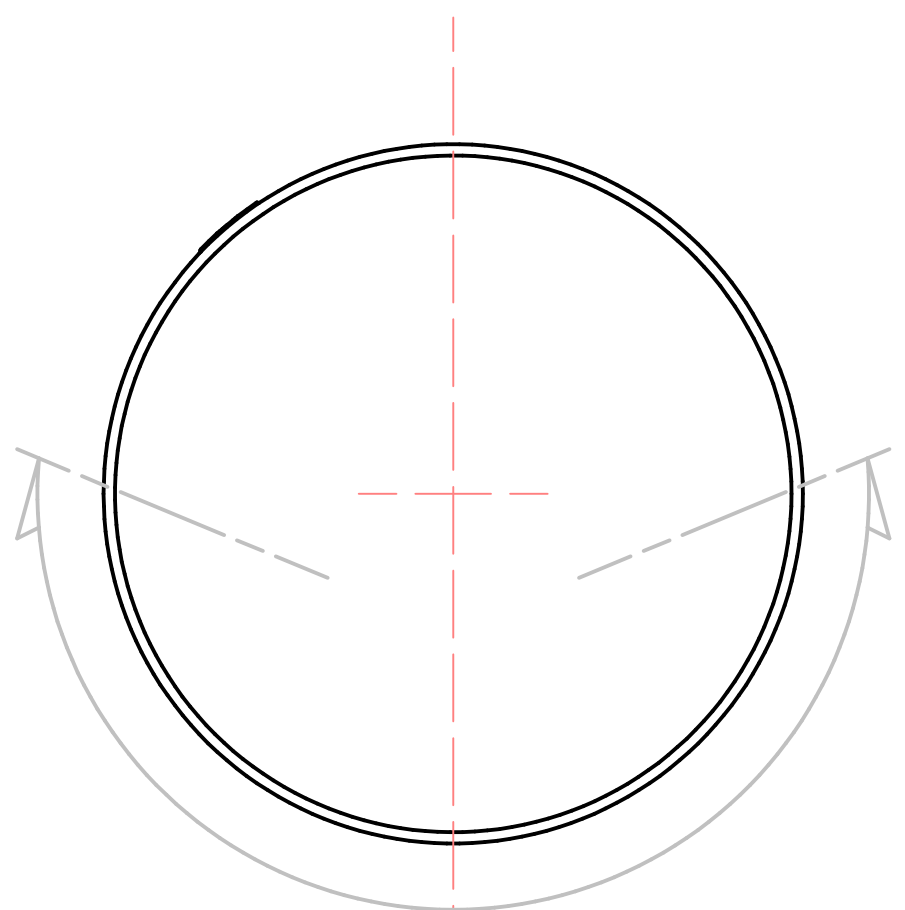
A B C D E F G H I J

1 2 3 4 5 6 7 8



T ↑

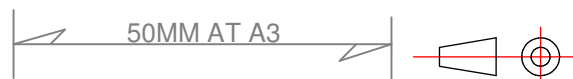
Center Line



White 225°

CL

T (1 : 1)



201-010KL 2nm masthead HM, on a 400-036 Ultra Low profile base

DRAWING NO.: 201-010IA	REV. NO.: 0	SIZE: A3	DRAWN BY: Sergio
SCALE: 1:1	TOLERANCES: DS/ISO 2768-f	REVIEWED BY:	CREATION DATE: 24-04-2018

MATERIAL DESCRIPTION:
EN6082, Acrylic

(20µ) Silver anodized according to EN ISO 7599
(50µ) Black anodized according to MIL-A 8625F
This Drawing, and the information within, is the property of Lopolight ApS and may not be used in any form without express permission there from. Lopolight reserves the right to change this drawing and assumes no liability for the information communicated herein. Use of dimensions and other information in this drawing is at the users own risk.



Lopolight ApS
Bakkegaardsvej 513
DK-3050, Humlebaek
Denmark

Tel:(+45) 32 48 50 30 Fax:(+45) 32 48 50 32
info@lopolight.com

A B C D E F G H I J

8