

200-012S
2 NAUTICAL MILES 360° WHITE LIGHT W/ STROBE FUNCTION
SINGLE, HORIZONTALLY MOUNTED

The LED light consists of a single array of LEDs that produces light in the specified angle.

The white strobe light is pre-programmed on a secondary channel with a predefined flashing pattern which is engaged when the light is powered on.

The precision machined 6082 aluminium housing with an anodized surface makes the light a rugged and durable housing for the LEDs and electronics contained within.

The interior is completely filled with a special potting resin making it water- and vibration proof.

Produced in our in-house manufacturing facility to meet and exceed exacting standards such as EN14744 and UL1104, under a quality management system continuously surveyed by Lloyds Register Quality Assurance.

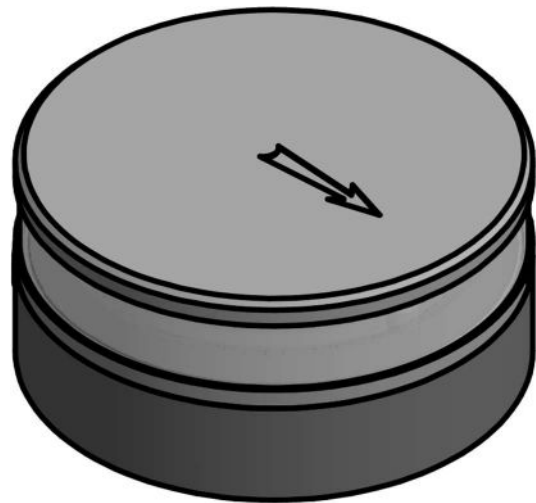
Each light is subjected to final testing for a minimum of 16 hours of continuous operation bringing the total test time beyond 24 hours.

This navigation light is in compliance with the following standards:

- COLREG72
- EN14744
- IEC 60945
- USCG (UL1104)

Together with an appropriate Control & Monitoring System, such as Lopolight's own NLC* this navigation light can form part of an IMO MSC 253(83), LY3 and LY4 compliant system.

*) information found here: www.lopolight.com/NlcPanel



Technical specifications

Vessel size: <50m (<164')

Visibility: >2 nautical miles

Intensity: >5,4 cd

Power consumption;

Constant: 2,6 Watt; Current: 0,22A @ 12 VDC – 0,11A @ 24 VDC

Strobe: 5,2 Watt; Current: 0,44A @ 12 VDC – 0,22A @ 24VDC

Operating voltage: 10 - 32 V DC

Number of LEDs: 28

Light colour: **White**

Operating temperature: -25°C to +55°C

IP Rating: **IP68**

Mounting: **Horizontal**, see K-Lock sheet for options

Connection: 1 cable consisting of 3 x 0,5 mm² leads, a screen and insulation.

- Red lead = White light power
- Black lead = White light GND
- White lead = White strobe power

Certification: The product is certified by Lloyds (LR) and certificates can be found on www.lopolight.com under certificates.

The product is in compliance with the following standards:
COLREG72/ EN14744 / IEC 60945 / USCG (UL1104)

Dimensions: **See drawing**

Weight: **0,48kg**

Warranty:

Lopolight products are covered by a 5-year limited warranty.

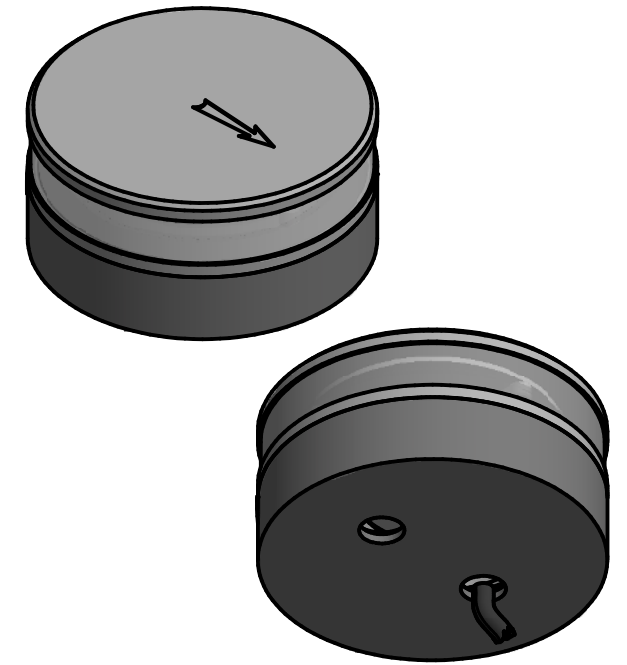
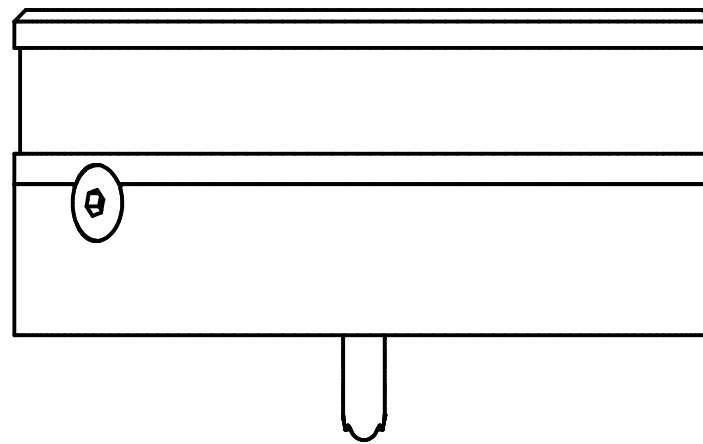
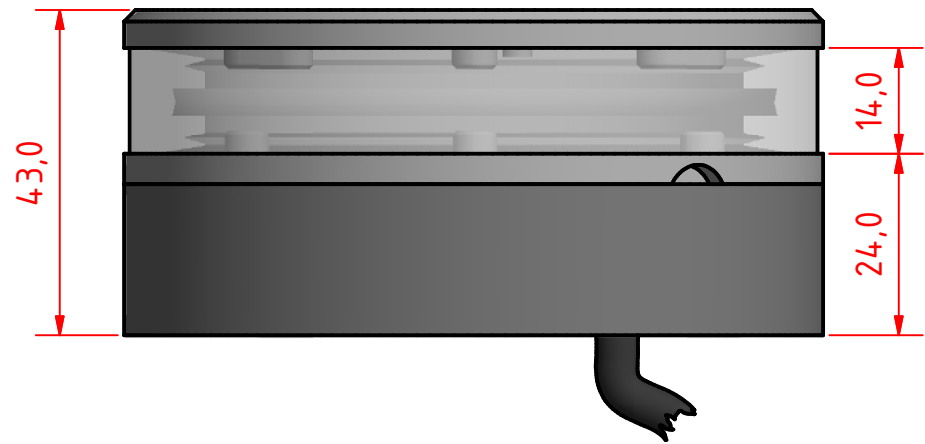
Warranty conditions can be found on www.lopolight.com/Home/Service

Included in the package:

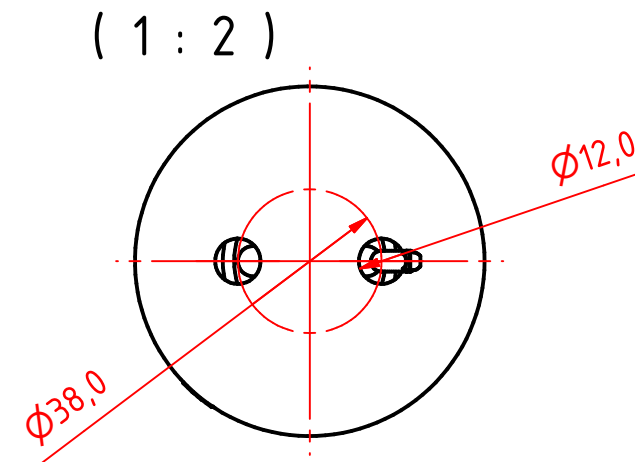
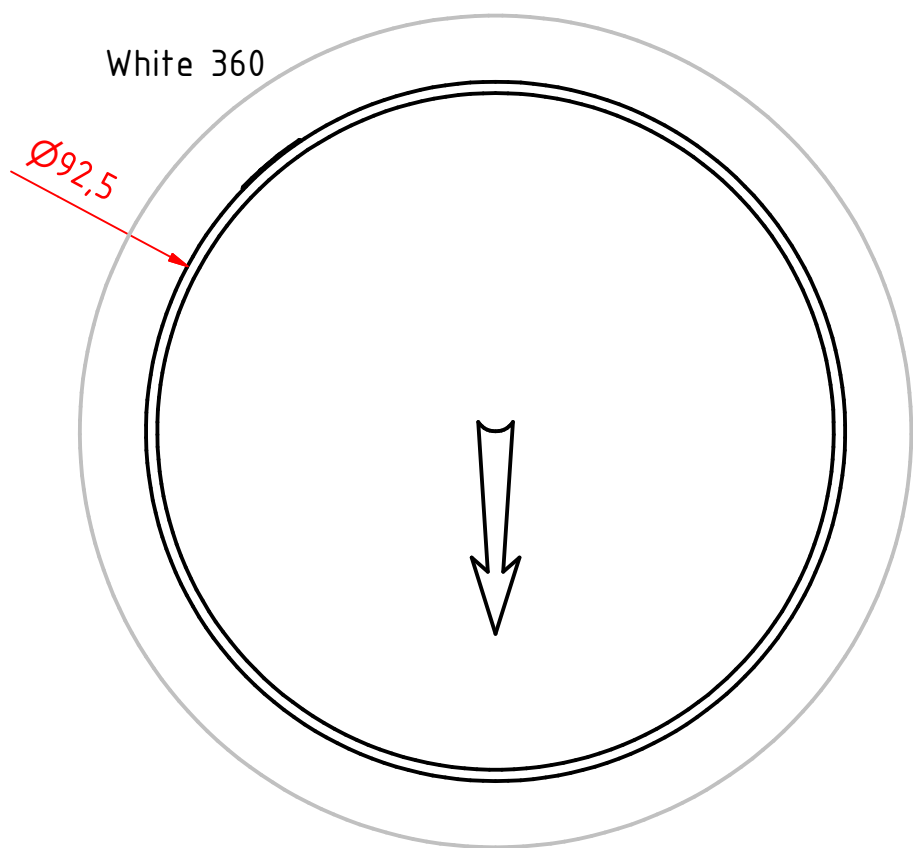
- 1 pc. Navigation light on HDPE base
- Installation instructions

Ordering information

BASE OPTION	CABLE LENGTH	PART NUMBER SILVER FINISH	PART NUMBER BLACK FINISH
400-038 (drawing A) HDPE base (standard)	0,75m / 2.5' (standard)	200-012S	200-012S-B
	30m / 98.4'	200-012S 30M	200-012S-B 30M
400-034 (drawing B - E) CSCD base	0,75m / 2.5'	200-012S-CSCD	200-012S-B-CSCD
	30m / 98.4'	200-012S-CSCD 30M	200-012S-B-CSCD 30M
400-035 (drawing F - G) CD base	0,75m / 2.5'	200-012S-CD	200-012S-B-CD
	30m / 98.4'	200-012S-CD 30M	200-012S-B-CD 30M
400-036 (drawing H) Ultra low base	0,75m / 2.5'	200-012S-UL	200-012S-UL-B
	30m / 98.4'	200-012S-UL 30M	200-012S-B-UL 30M



Note:
 The PE Plastic base is intended for fitting on site and can be either drilled for mounting screws from above or drilled and tapped from below. 6mm machine screws with nuts and washers are recommended for secure mounting.



Rev1 24/01/2018 Add the PRO series sheet.

200-012, 360° White - Anchor, PE Base.

DRAWING NO.: 200-012AG	REV. NO.: 1	SIZE: A3	DRAWN BY: Sergio
SCALE: 1:1	TOLERANCES: DS/ISO 2768-f	REVIEWED BY:	CREATION DATE: 29/12/2016

MATERIAL DESCRIPTION:
 Alu EN 6082, Arylic, PE. (20µ) Silver anodized according to EN ISO 7599
 (50µ) Black anodized according to MIL-A 8625F

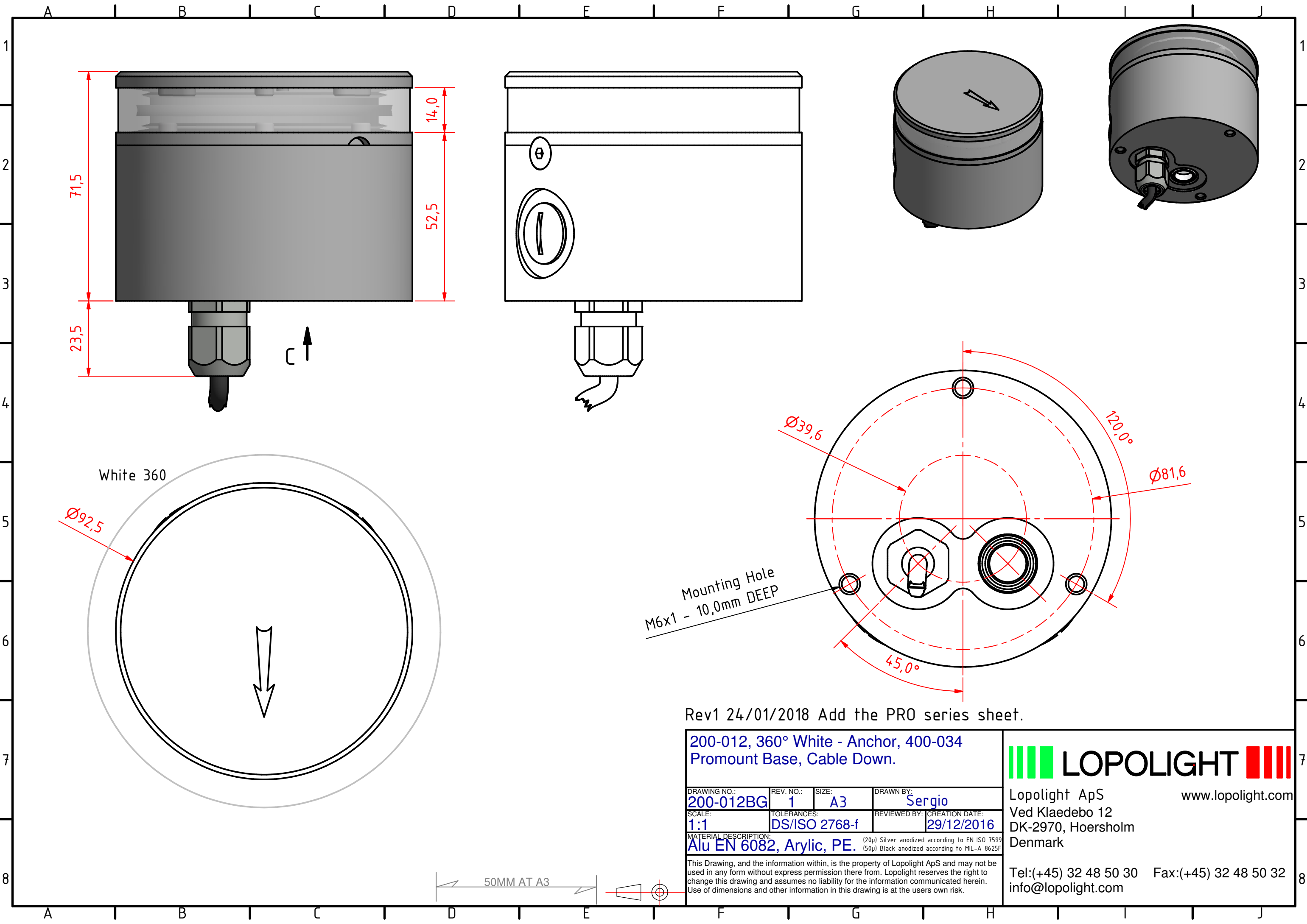
This Drawing, and the information within, is the property of Lopolight ApS and may not be used in any form without express permission there from. Lopolight reserves the right to change this drawing and assumes no liability for the information communicated herein. Use of dimensions and other information in this drawing is at the users own risk.



Lopolight ApS
 Ved Klaedebo 12
 DK-2970, Hoersholm
 Denmark

Tel:(+45) 32 48 50 30 Fax:(+45) 32 48 50 32
 info@lopolight.com





Rev1 24/01/2018 Add the PRO series sheet.

200-012, 360° White - Anchor, 400-034
Promount Base, Cable Down.

DRAWING NO.:	REV. NO.:	SIZE:	DRAWN BY:
200-012BG	1	A3	Sergio
SCALE:	TOLERANCES:	REVIEWED BY:	CREATION DATE:
1:1	DS/ISO 2768-f		29/12/2016

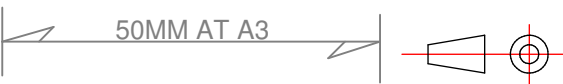
MATERIAL DESCRIPTION:
Alu EN 6082, Arylic, PE. (20µ) Silver anodized according to EN ISO 7599
(50µ) Black anodized according to MIL-A 8625F

This Drawing, and the information within, is the property of Lopolight ApS and may not be used in any form without express permission there from. Lopolight reserves the right to change this drawing and assumes no liability for the information communicated herein. Use of dimensions and other information in this drawing is at the users own risk.



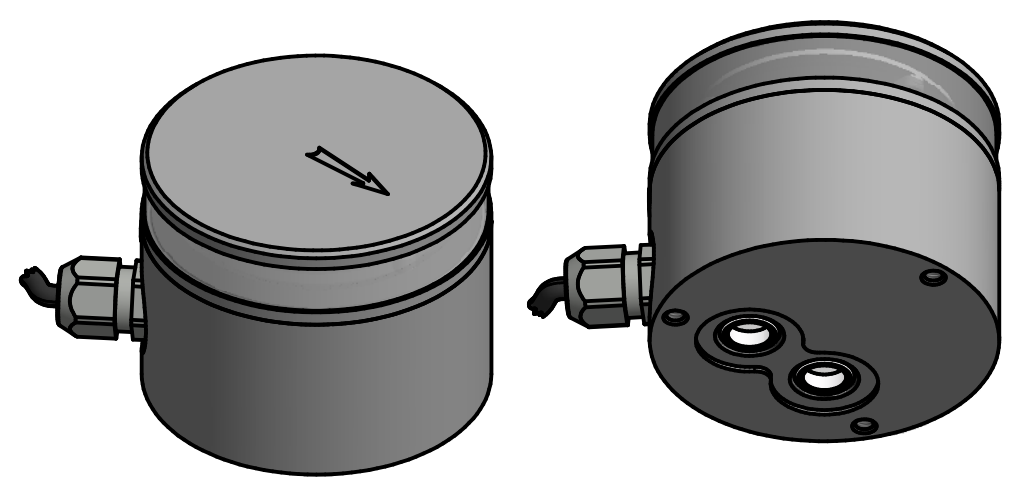
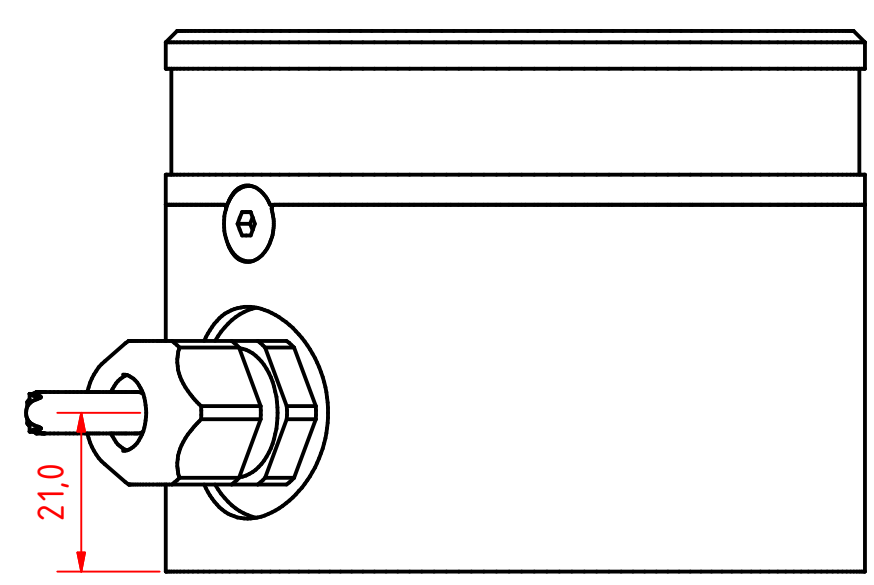
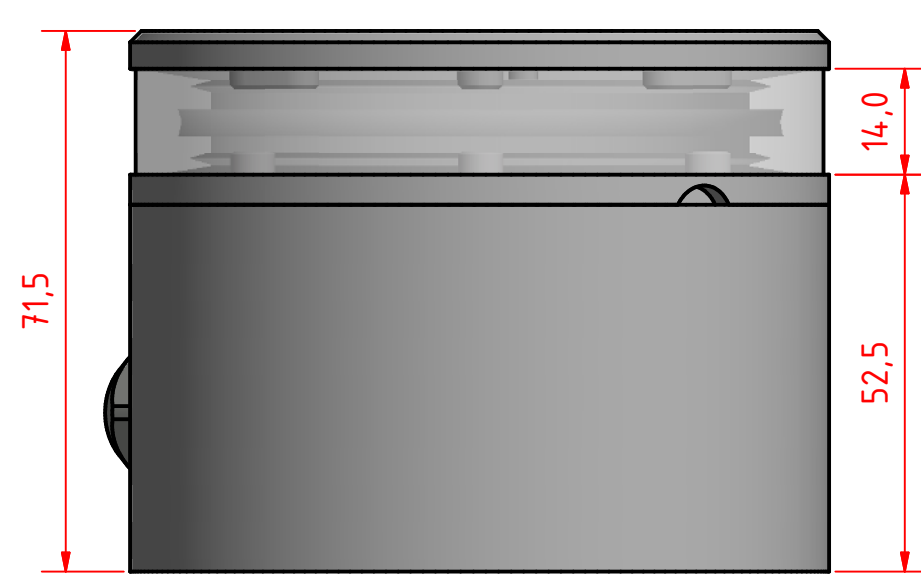
Lopolight ApS
Ved Klaedebo 12
DK-2970, Hoersholm
Denmark

Tel:(+45) 32 48 50 30 Fax:(+45) 32 48 50 32
info@lopolight.com

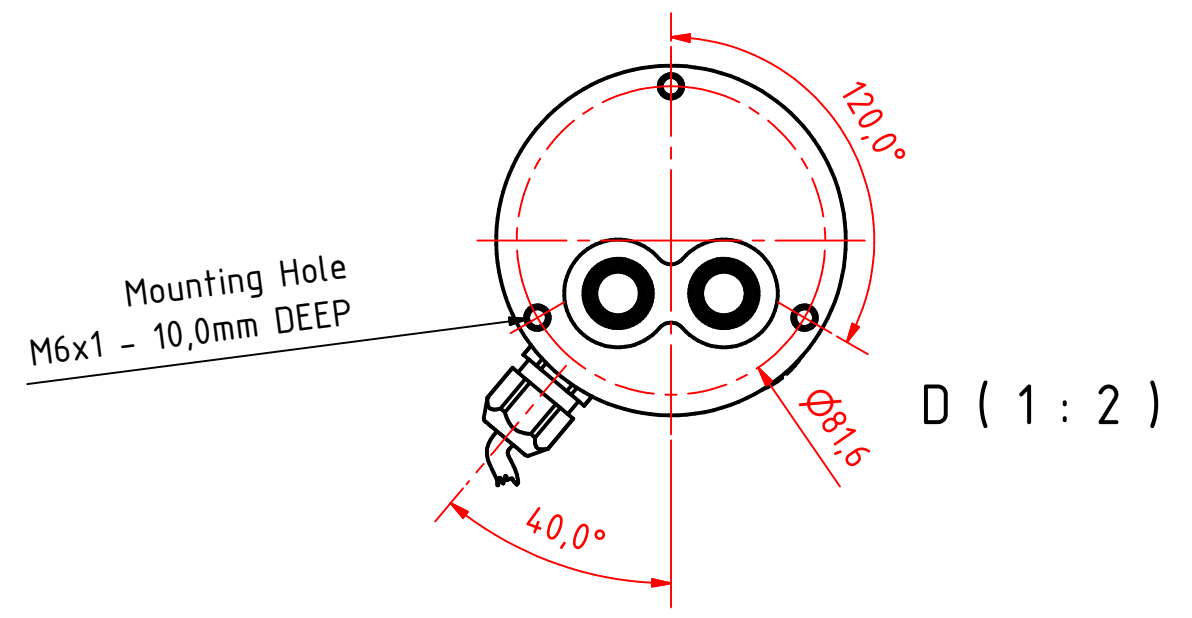
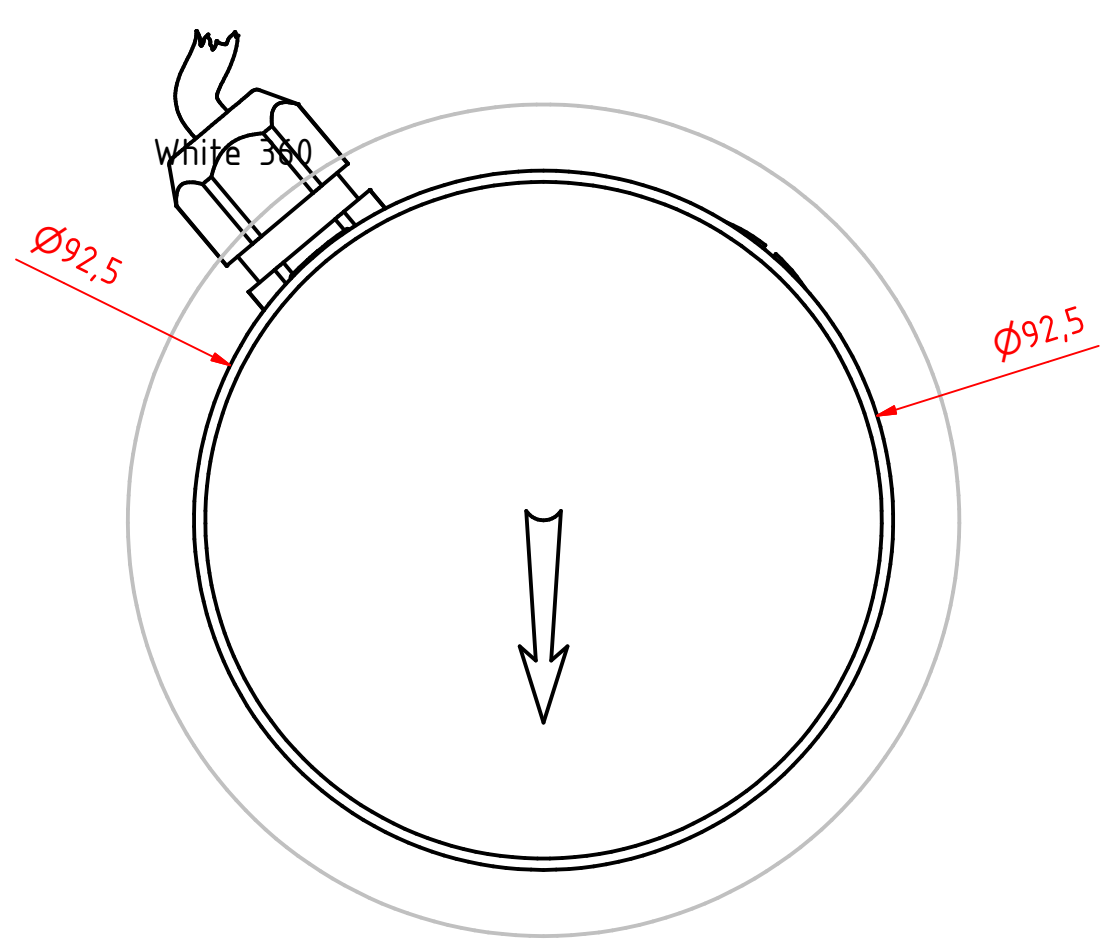


A B C D E F G H I J

1 2 3 4 5 6 7 8



D ↑



D (1 : 2)

Rev1 24/01/2018 Add the PRO series sheet.

200-012, 360° White - Anchor, 400-034
Promount Base, Cable Side

DRAWING NO.: 200-012CG	REV. NO.: 1	SIZE: A3	DRAWN BY: Sergio
SCALE: 1:1	TOLERANCES: DS/ISO 2768-f	REVIEWED BY:	CREATION DATE: 29/12/2016

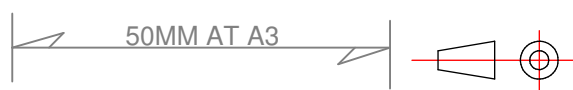
MATERIAL DESCRIPTION:
Alu EN 6082, Arylic, PE. (20µ) Silver anodized according to EN ISO 7599
(50µ) Black anodized according to MIL-A 8625F

This Drawing, and the information within, is the property of Lopolight ApS and may not be used in any form without express permission there from. Lopolight reserves the right to change this drawing and assumes no liability for the information communicated herein. Use of dimensions and other information in this drawing is at the users own risk.



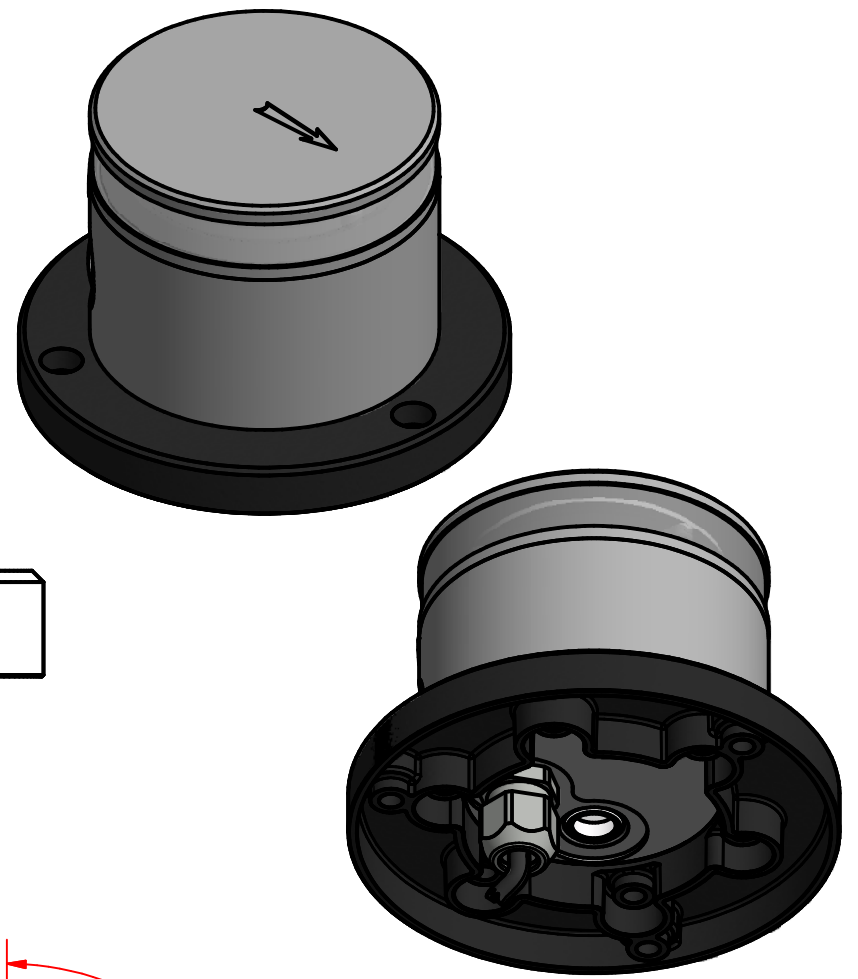
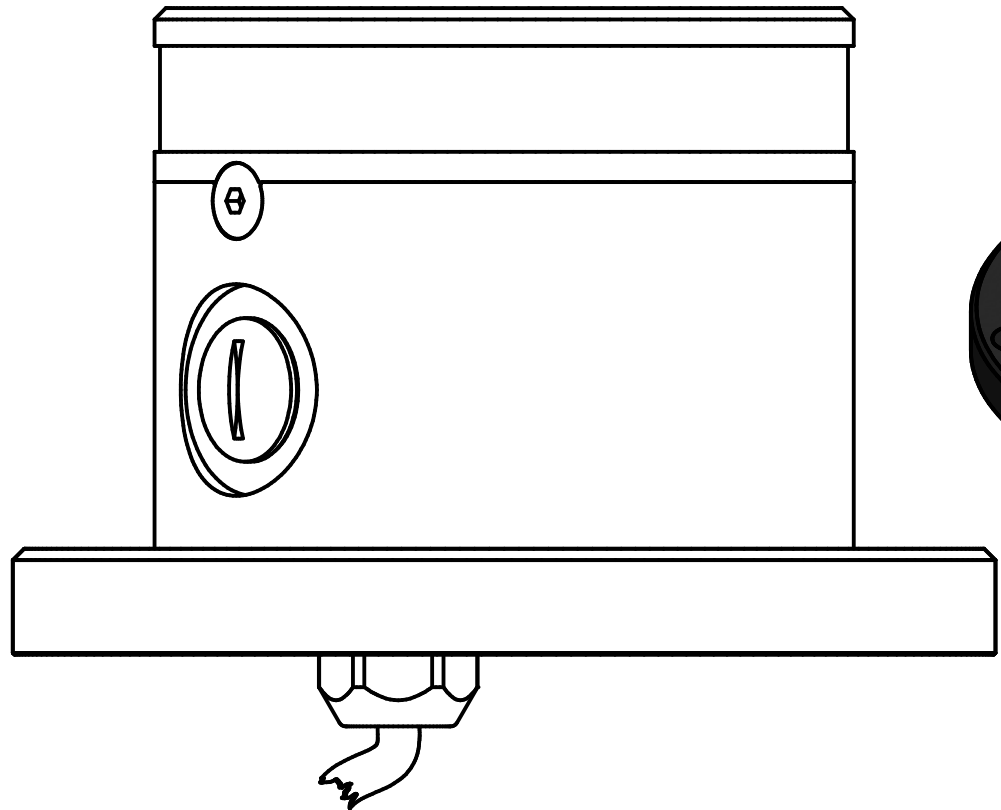
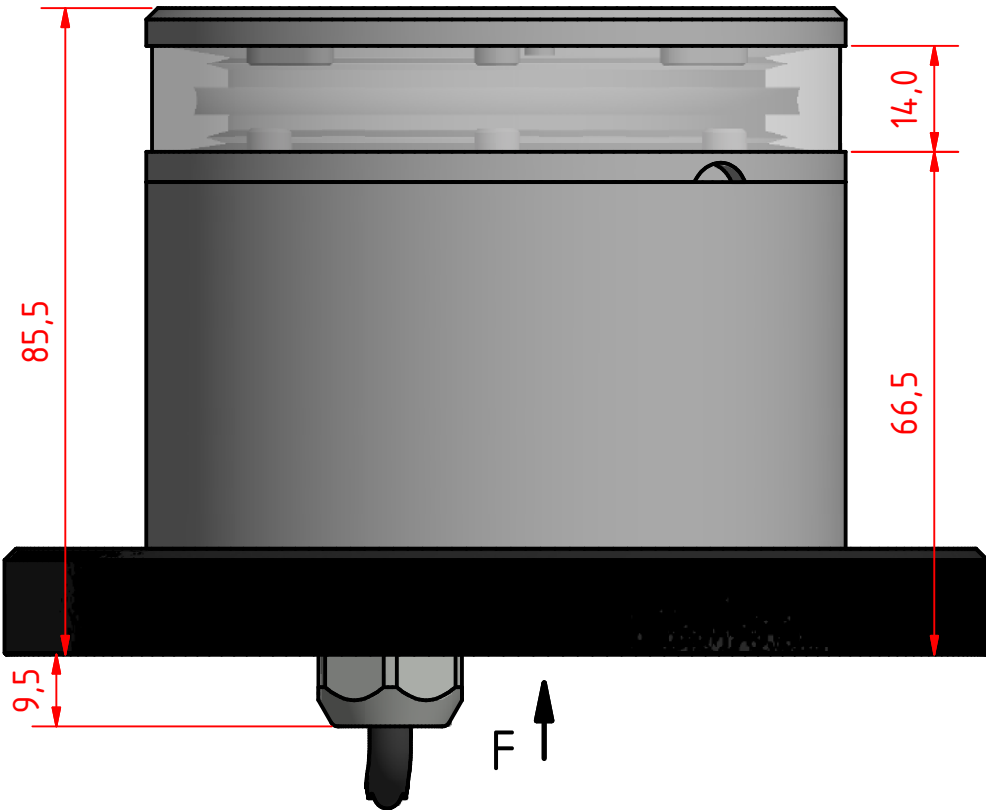
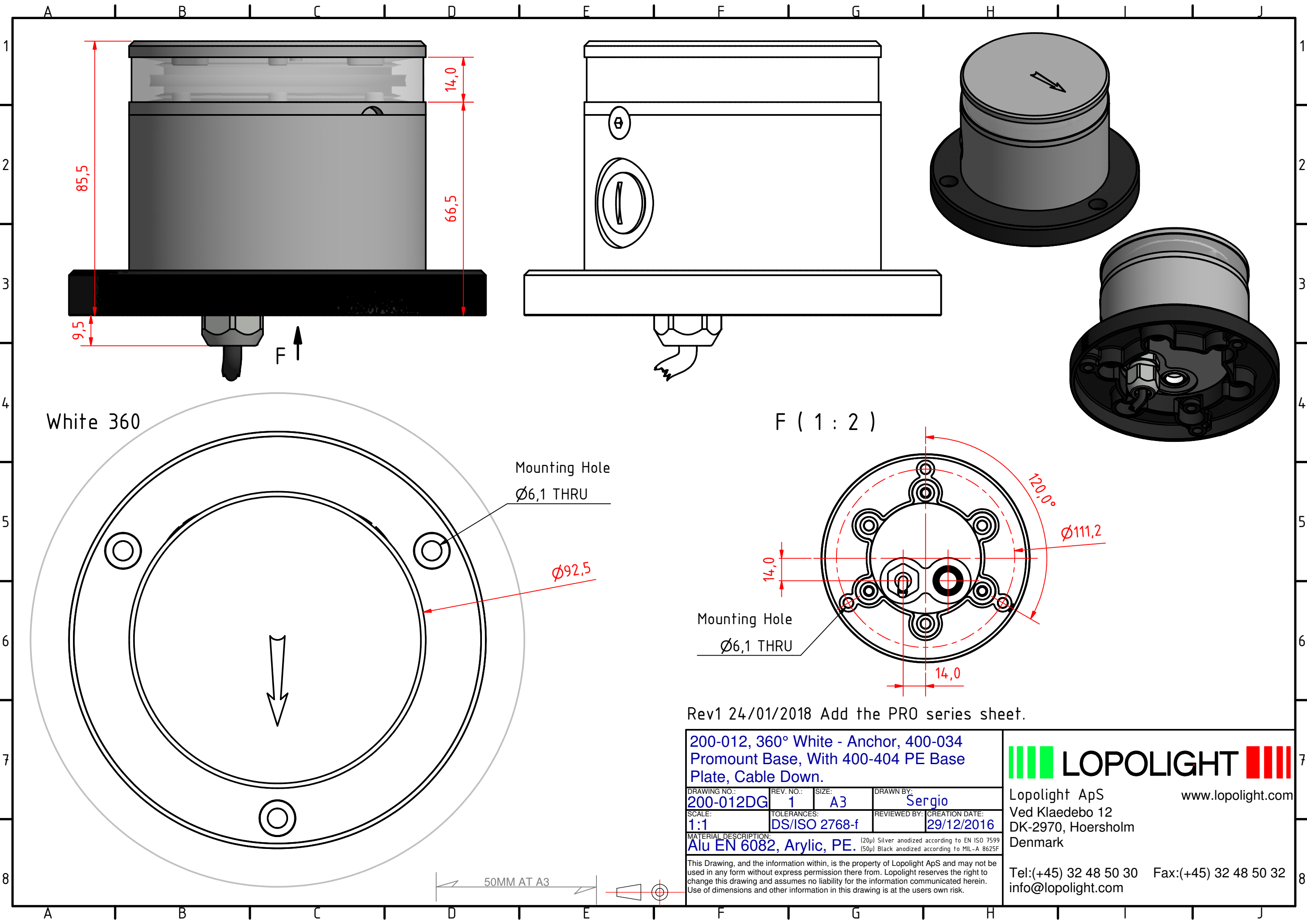
Lopolight ApS
Ved Klaedebo 12
DK-2970, Hoersholm
Denmark

Tel:(+45) 32 48 50 30 Fax:(+45) 32 48 50 32
info@lopolight.com



A B C D E F G H I J

8



White 360

Mounting Hole
Ø6,1 THRU

Ø92,5

Mounting Hole
Ø6,1 THRU

120,0°

Ø111,2

14,0

14,0

Rev1 24/01/2018 Add the PRO series sheet.

200-012, 360° White - Anchor, 400-034
Promount Base, With 400-404 PE Base
Plate, Cable Down.

DRAWING NO.:	REV. NO.:	SIZE:	DRAWN BY:
200-012DG	1	A3	Sergio
SCALE:	TOLERANCES:	REVIEWED BY:	CREATION DATE:
1:1	DS/ISO 2768-f		29/12/2016

MATERIAL DESCRIPTION:
Alu EN 6082, Arylic, PE. (20µ) Silver anodized according to EN ISO 7599
(50µ) Black anodized according to MIL-A 8625F

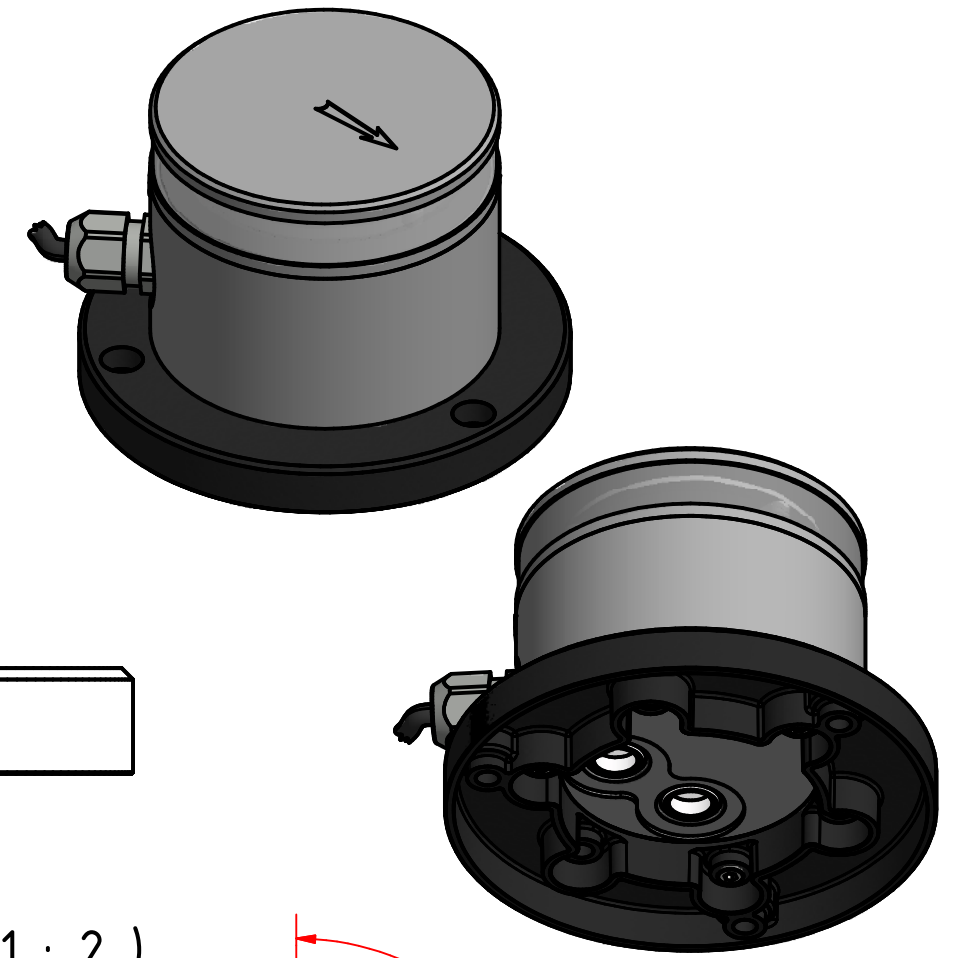
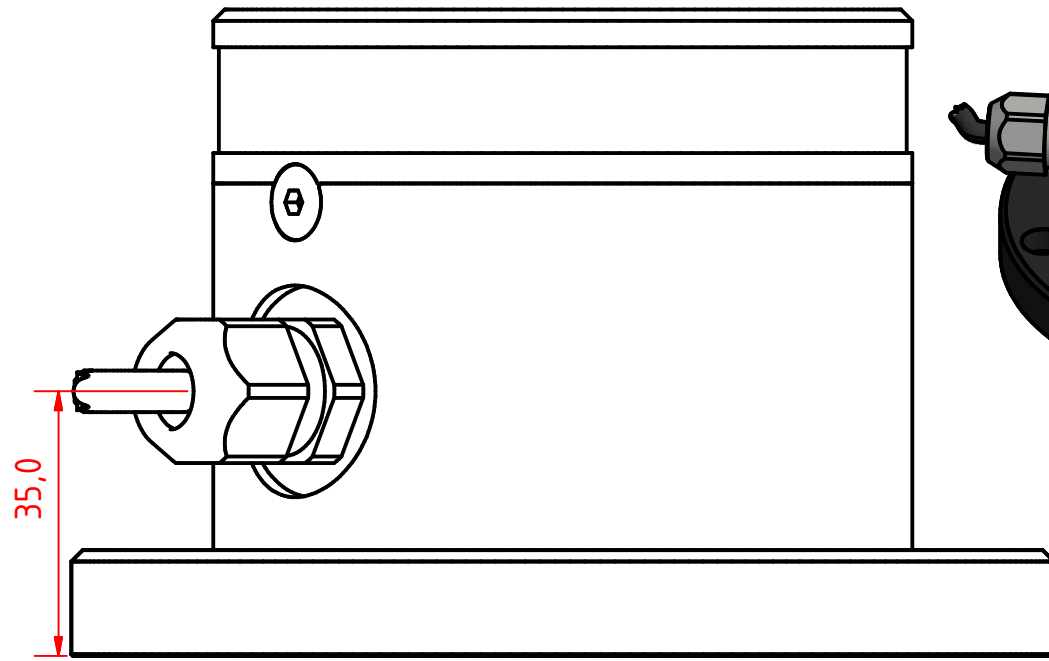
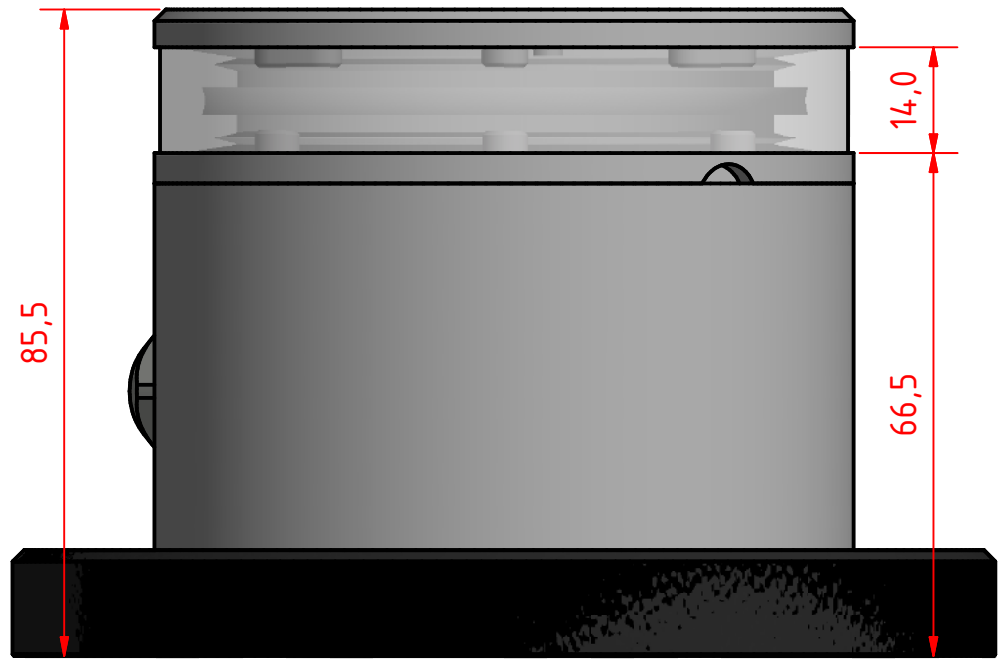
This Drawing, and the information within, is the property of Lopolight ApS and may not be used in any form without express permission there from. Lopolight reserves the right to change this drawing and assumes no liability for the information communicated herein. Use of dimensions and other information in this drawing is at the users own risk.



Lopolight ApS
Ved Klaedebo 12
DK-2970, Hoersholm
Denmark

Tel:(+45) 32 48 50 30 Fax:(+45) 32 48 50 32
info@lopolight.com

50MM AT A3



White 360

G ↑

Mounting Hole
Ø6,1 THRU

Ø92,5

G (1 : 2)

Mounting Hole
Ø6,1 THRU

120,0°

Ø111,2

40,0°

Rev1 24/01/2018 Add the PRO series sheet.

200-012. 360° White - Anchor, 400-034
Promount Base, With 400-404 PE Base
Plate, Cable Side

DRAWING NO.:	REV. NO.:	SIZE:	DRAWN BY:
200- 012EG	1	A3	Sergio
SCALE:	TOLERANCES:	REVIEWED BY:	CREATION DATE:
1:1	DS/ISO 2768-f		29/12/2016

MATERIAL DESCRIPTION:
Alu EN 6082, Arylic, PE. (20µ) Silver anodized according to EN ISO 7599
(50µ) Black anodized according to MIL-A 8625F

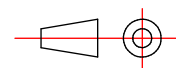
This Drawing, and the information within, is the property of Lopolight ApS and may not be used in any form without express permission there from. Lopolight reserves the right to change this drawing and assumes no liability for the information communicated herein. Use of dimensions and other information in this drawing is at the users own risk.

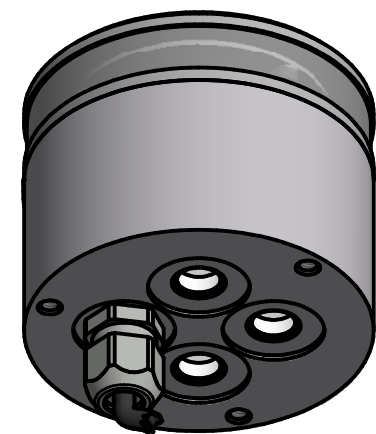
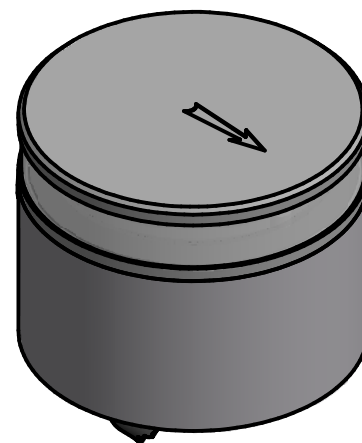
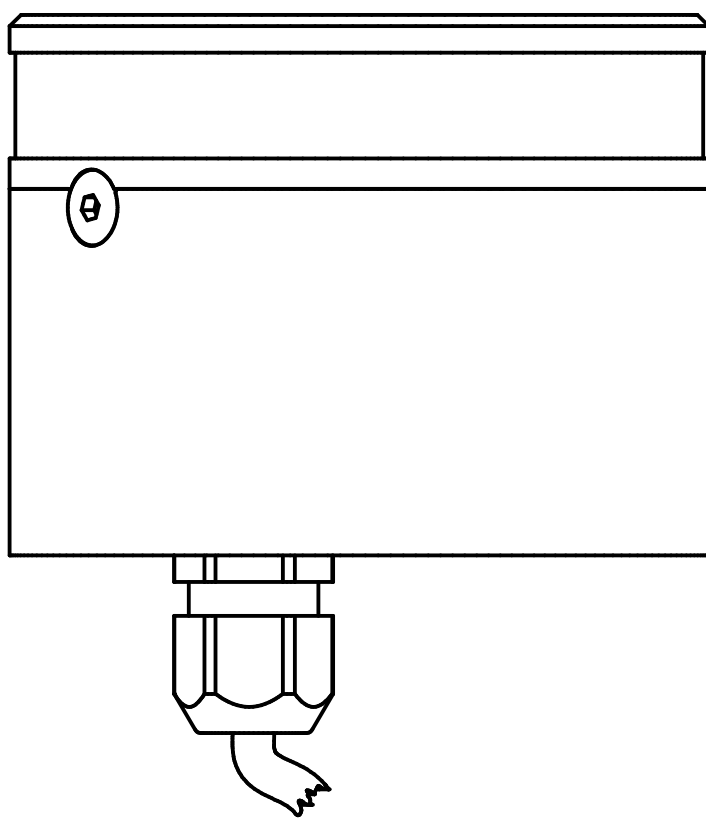
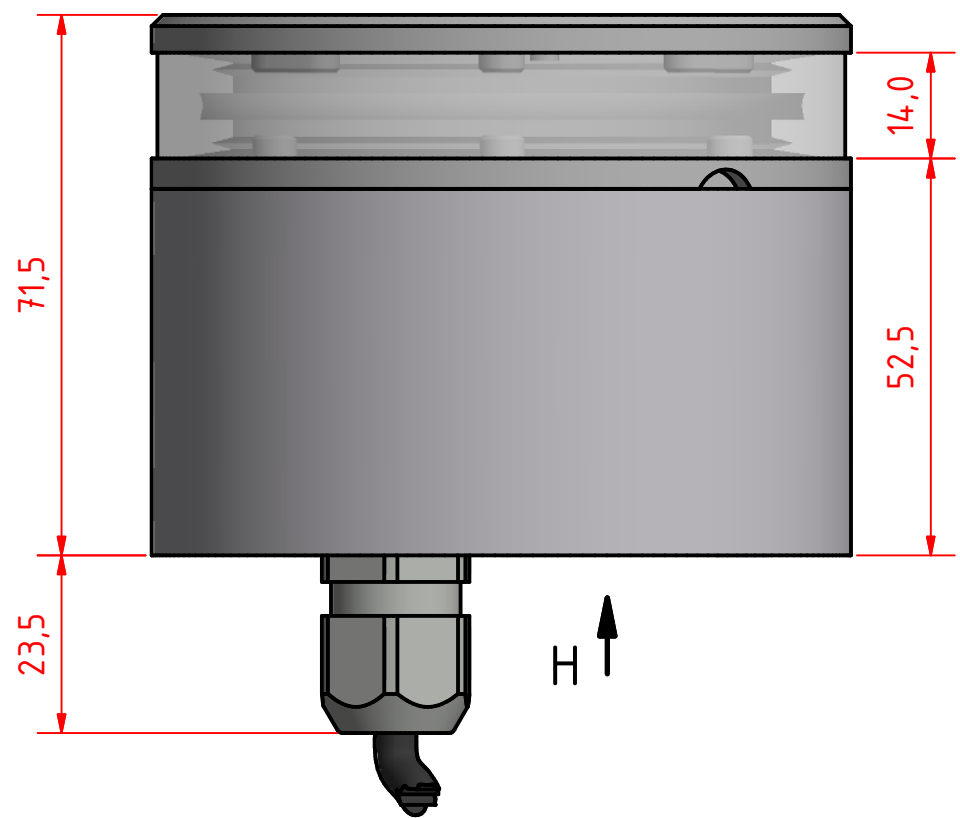


Lopolight ApS
Ved Klaedebo 12
DK-2970, Hoersholm
Denmark

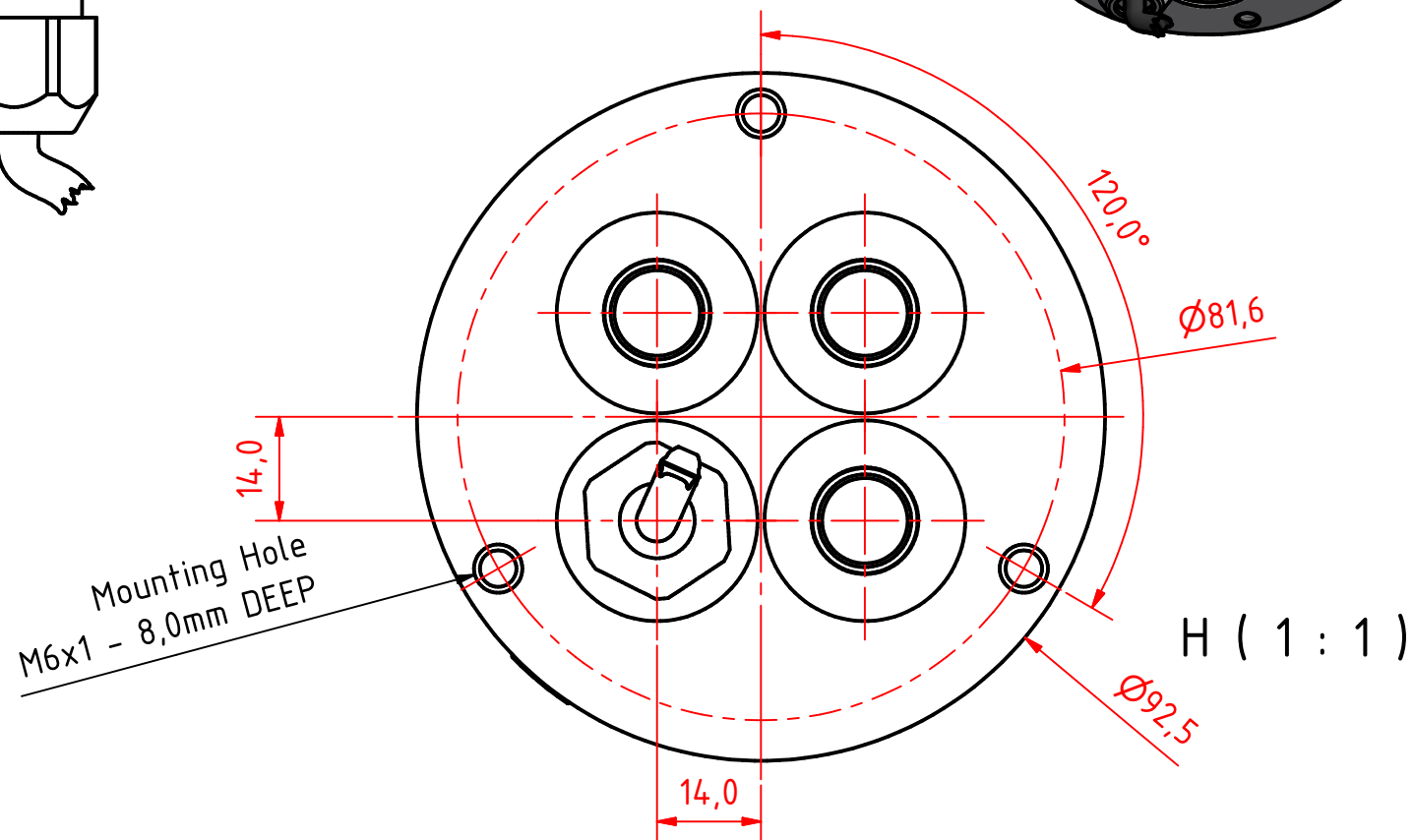
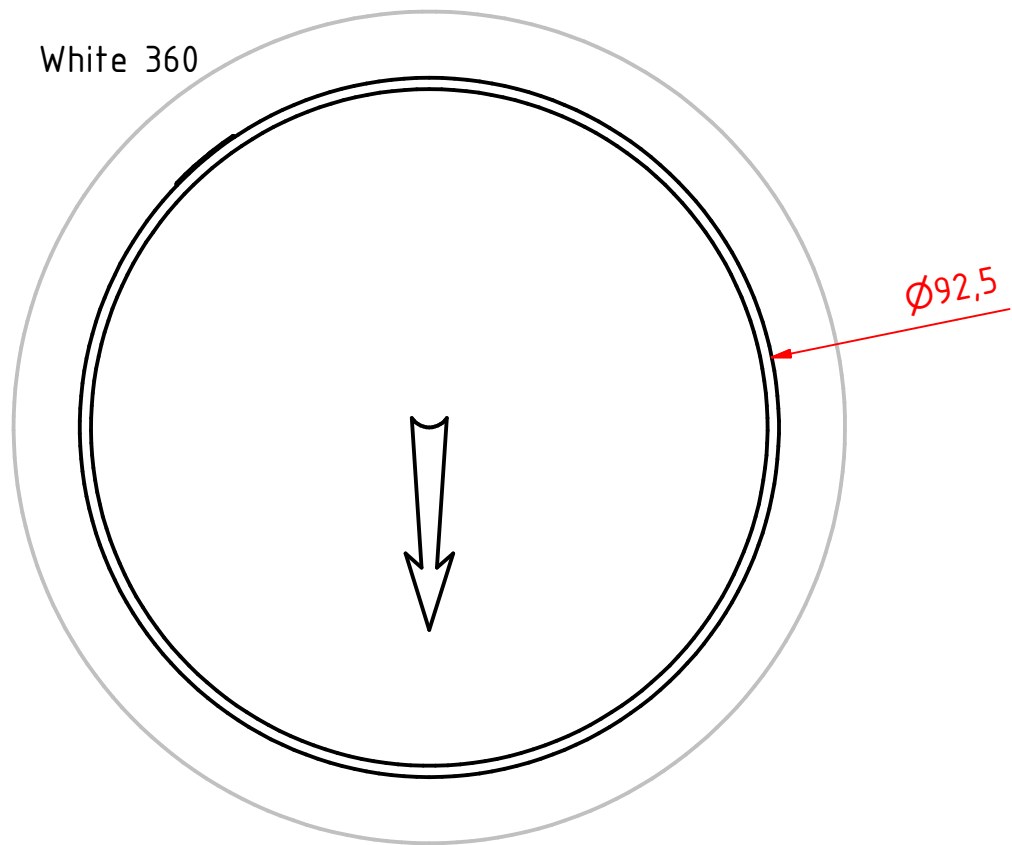
Tel:(+45) 32 48 50 30 Fax:(+45) 32 48 50 32
info@lopolight.com

50MM AT A3





White 360



Rev1 24/01/2018 Add the PRO series sheet.

200-012 360° White - Anchor, 400-035
Promount Base, Cable Down.

DRAWING NO.:	REV. NO.:	SIZE:	DRAWN BY:
200-012FG	1	A3	Sergio
SCALE:	TOLERANCES:	REVIEWED BY:	CREATION DATE:
1:1	DS/ISO 2768-f		29/12/2016

MATERIAL DESCRIPTION:
Alu EN 6082, Arylic.

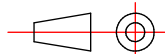
This Drawing, and the information within, is the property of Lopolight ApS and may not be used in any form without express permission there from. Lopolight reserves the right to change this drawing and assumes no liability for the information communicated herein. Use of dimensions and other information in this drawing is at the users own risk.

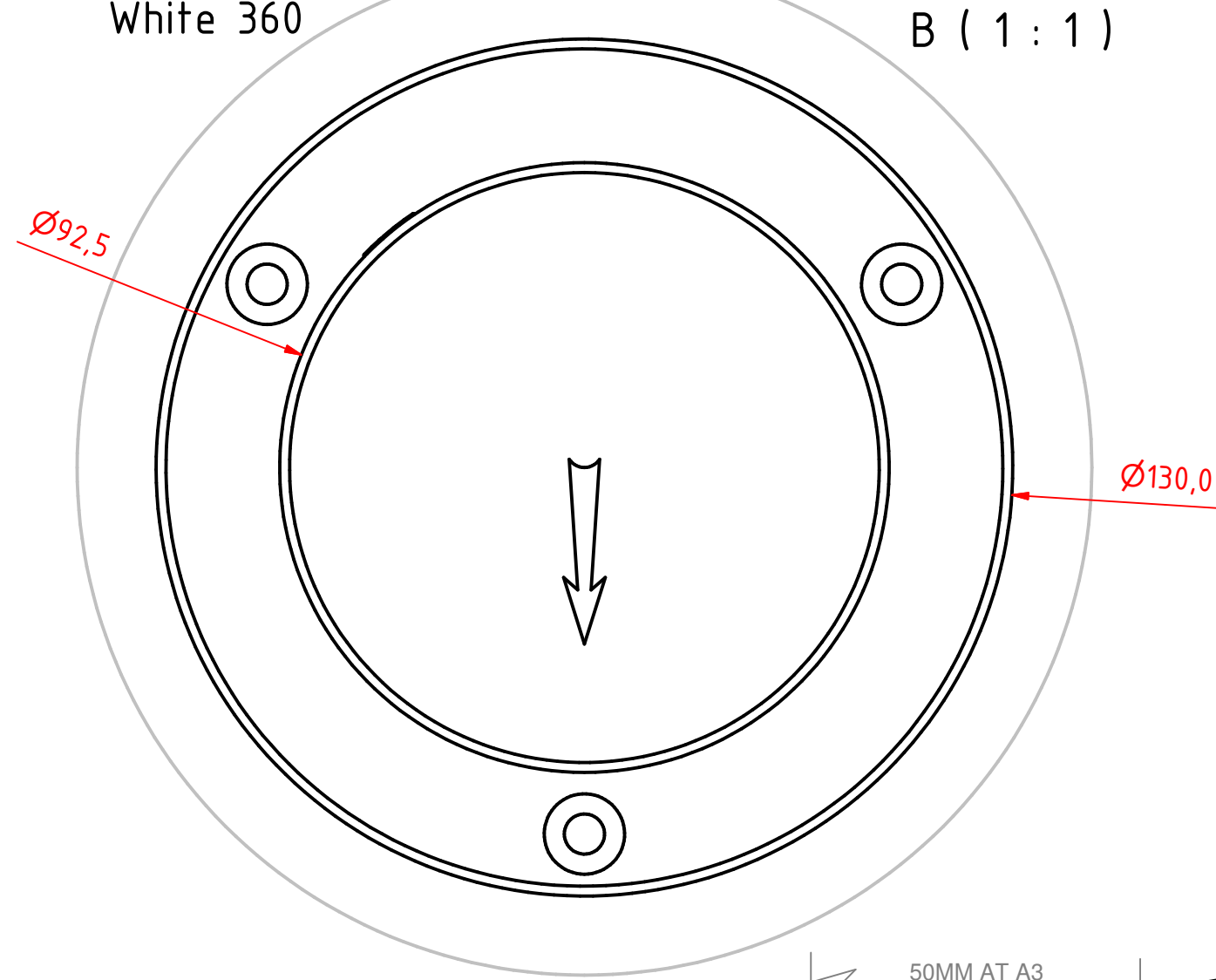
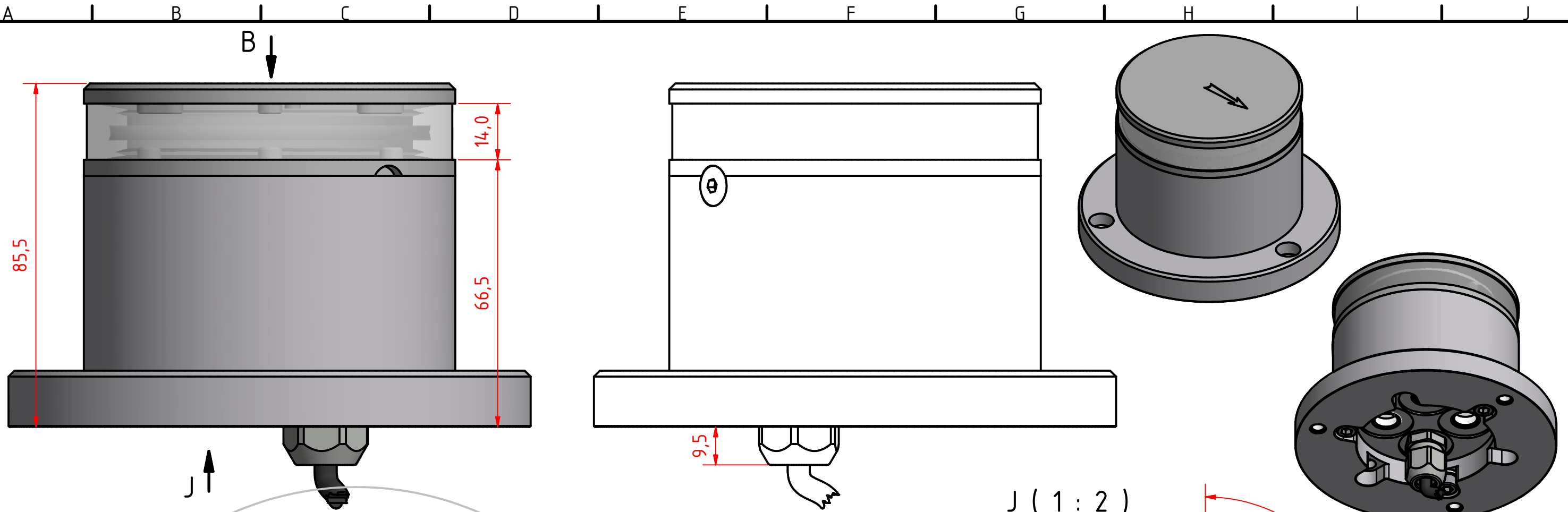


Lopolight ApS
Ved Klaedebo 12
DK-2970, Hoersholm
Denmark

Tel:(+45) 32 48 50 30 Fax:(+45) 32 48 50 32
info@lopolight.com

50MM AT A3





Rev1 24/01/2018 Add the PRO series sheet.

200-012 360° White - Anchor, 400-035			
Promount Base, With 400-401 Base Plate, Cable Down.			
DRAWING NO.:	REV. NO.:	SIZE:	DRAWN BY:
200-012GG	1	A3	Sergio
SCALE:	TOLERANCES:	REVIEWED BY:	CREATION DATE:
1:1	DS/ISO 2768-f		29/12/2016
MATERIAL DESCRIPTION:			
Alu EN 6082, Arylic.			

LOPOLIGHT

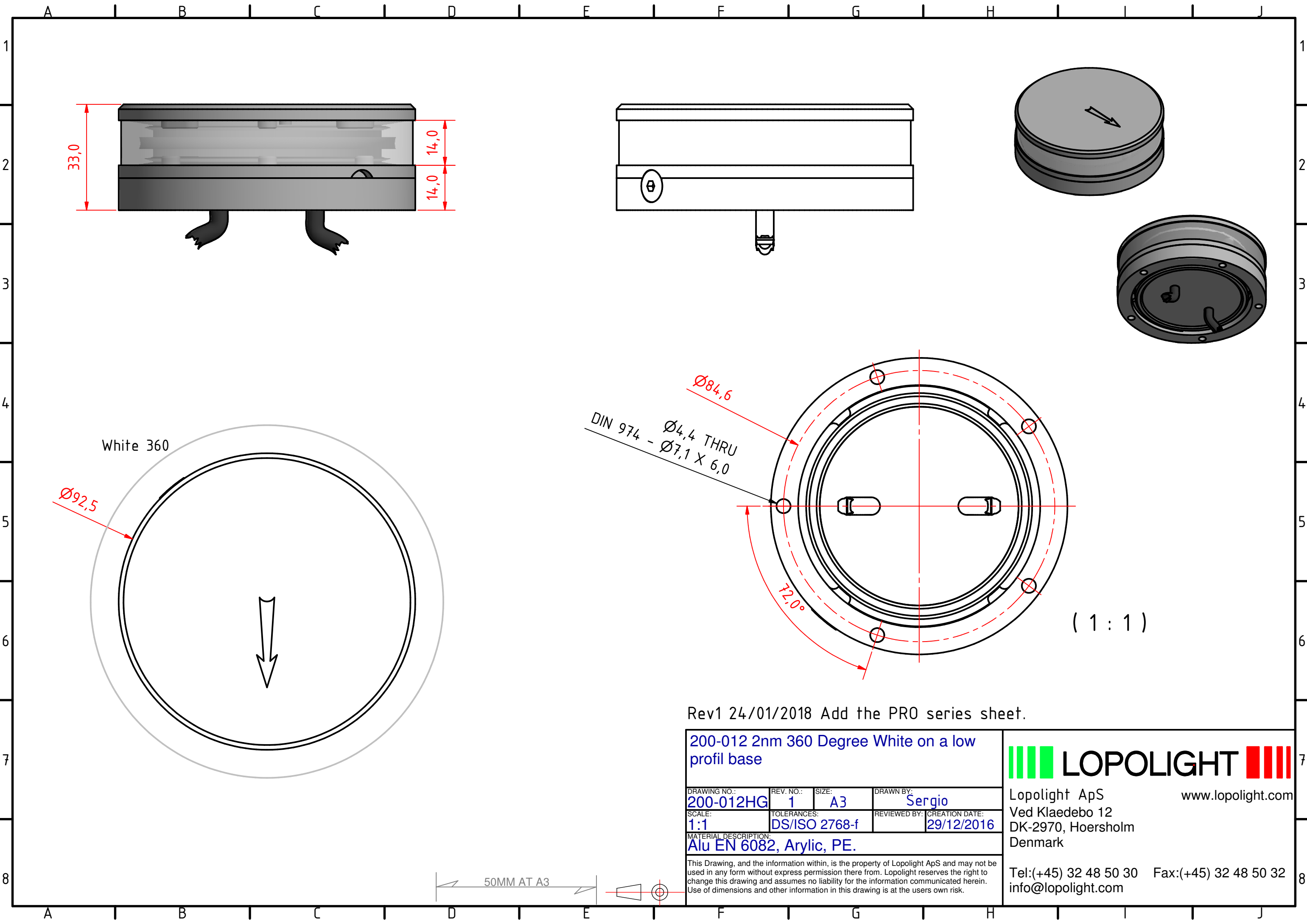
Lopolight ApS
 Ved Klaedebo 12
 DK-2970, Hoersholm
 Denmark

www.lopolight.com

Tel:(+45) 32 48 50 30 Fax:(+45) 32 48 50 32
 info@lopolight.com

This Drawing, and the information within, is the property of Lopolight ApS and may not be used in any form without express permission there from. Lopolight reserves the right to change this drawing and assumes no liability for the information communicated herein. Use of dimensions and other information in this drawing is at the users own risk.





Rev1 24/01/2018 Add the PRO series sheet.

200-012 2nm 360 Degree White on a low profil base

DRAWING NO.:	REV. NO.:	SIZE:	DRAWN BY:
200-012HG	1	A3	Sergio
SCALE:	TOLERANCES:	REVIEWED BY:	CREATION DATE:
1:1	DS/ISO 2768-f		29/12/2016

MATERIAL DESCRIPTION:
Alu EN 6082, Arylic, PE.

This Drawing, and the information within, is the property of Lopolight ApS and may not be used in any form without express permission there from. Lopolight reserves the right to change this drawing and assumes no liability for the information communicated herein. Use of dimensions and other information in this drawing is at the users own risk.



Lopolight ApS www.lopolight.com

Ved Klaedebo 12

DK-2970, Hoersholm

Denmark

Tel:(+45) 32 48 50 30 Fax:(+45) 32 48 50 32

info@lopolight.com

